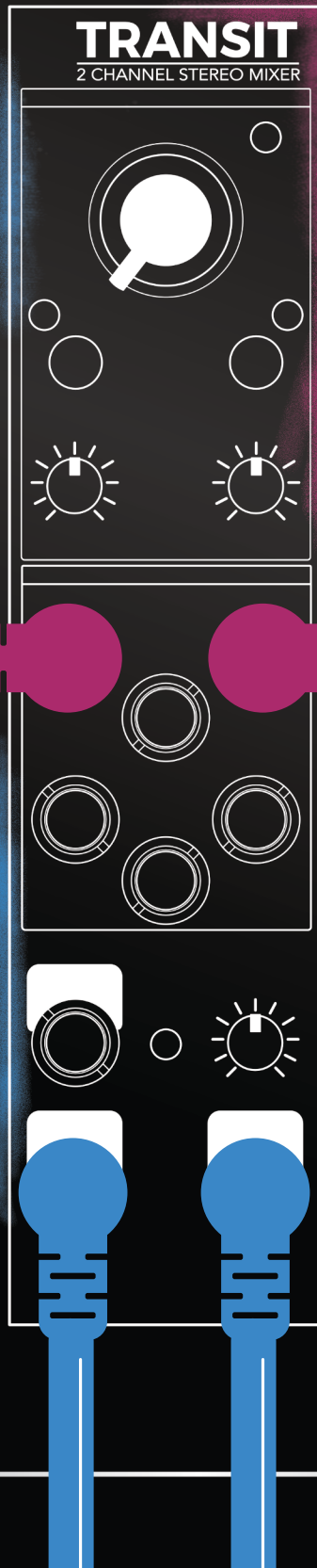


---

# TRANSIT

---

2 CHANNEL STEREO MIXER







# Contents

|          |   |
|----------|---|
| About Us | 1 |
| Overview | 3 |



# About Us

---

## MODBAP MODULAR BY BEATPPL

Modbap Modular is a line of eurorack modular synthesizers and electronic music instruments by Beatppl. Founded by Corry Banks (Bboytech), Modbap Modular was born of the Modbap Movement with a simple mission to dev tools for beat driven hiphop leaning modular artists. It is our goal to develop eurorack modules from the beatmaker's perspective while adding value for music makers of all genres.

It's almost impossible to explain Modbap Modular without answering the questions; "So, what is ModBap?" MODBAP is the fusion of modular synthesis and boom-bap (or any form of hiphop) music production. The term was created by BBoyTech as a denotation of his experiments with modular synthesis and boombap music production. From that point forward, a movement was born where like minded creatives built a community around idea of Modbap. Modbap Modular is in effect, the result of that movement in a space where we'd previously not existed.

**BUILT FOR EURORACK  
DOPE ENOUGH FOR BOOMBAP!**

[www.modbap.com](http://www.modbap.com)





# Overview

---

## TRANSIT

Transit is a fully featured compact 6hp dual stereo channel lane eurorack formatted mixer. It offers easy signal mixing, gain staging, ducking, and performance-oriented mutes. Transit is just as comfortable as the single mixer in a small eurorack case and is equally at home with several Transit's supporting a larger system configuration. Transit makes a perfect combo with Per4mer racked into one of our Modbap20 cases or coupled with Osiris. Transit has two stereo channel lanes of audio with an all-analog signal path. A mono signal into the left input sums to the right. Each stereo channel lane has its own input gain control, mute button and ducking input. The ducking input on each channel operates like a traditional sidechain on a compressor where a CV or Trigger input i.e. LFO, Clock, Gate modulates the gain reduction of the audio. Transit offers a main stereo output controlled by the master volume control knob and an independent 3.5mm headphone output controlled by its own headphone level knob. Digitally controlled colored LED's for each stereo channel lane, indicate levels. Red indicates mute. Similar for the Master and headphone levels which also have their own LED's for level indication using the same color scheme.

## WHAT'S IN THE BOX?

The Transit package comes with the following items included:-

- Transit module.
- Eurorack IDC power ribbon cable
- 2 x 3m mounting screws.
- Quick reference guide.
- Sticker.

## SPECIFICATION AND CORE FEATURES

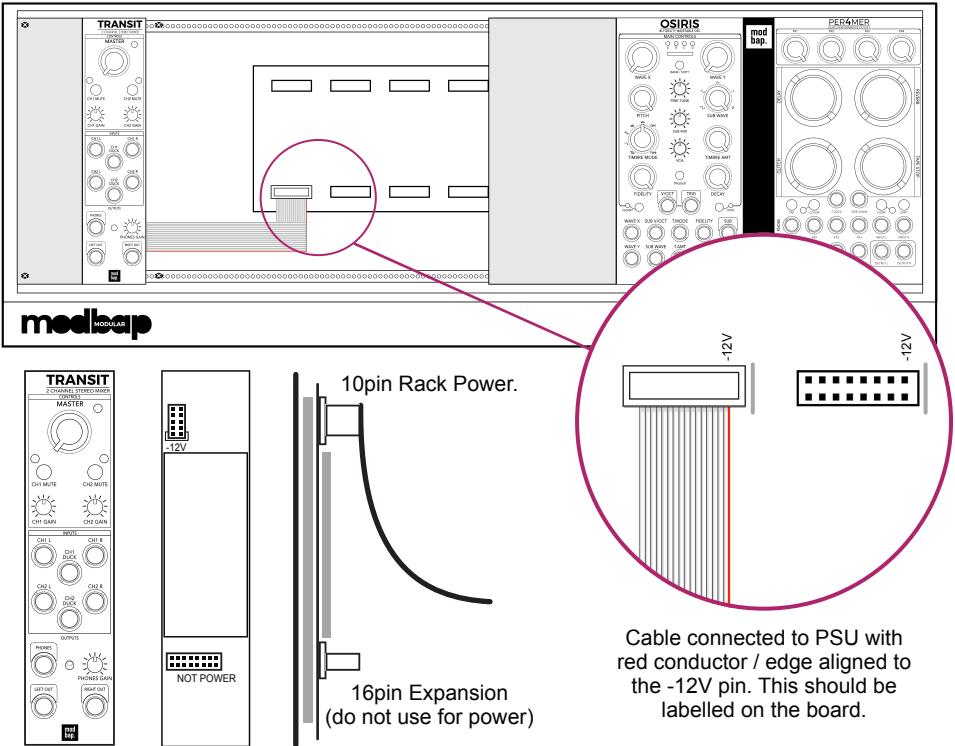
- Module size. 3U, 6 HP, Depth 25mm
- +12V current demand 50mA.
- -12V current demand 50mA
- +5V current demand 0mA
- Expansion port for connecting between compatible modules
- Dual audio channel inputs with gain control
- Audio normalised left to right for mono inputs
- CV / Gate inputs for Ducking modulation control
- Audio output with master level control
- Headphone output with level control.

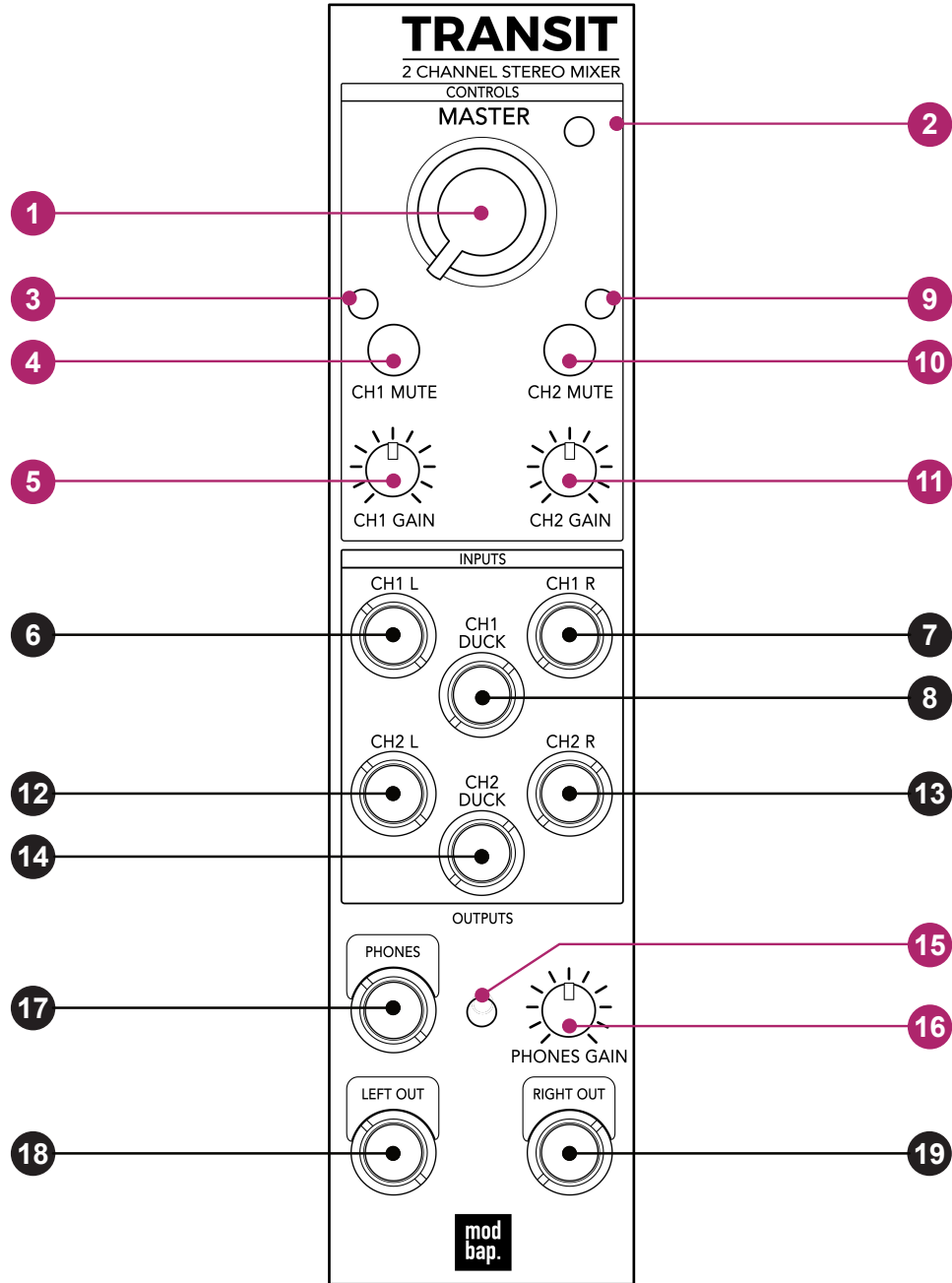


## INSTALLATION

Follow the installation instructions carefully to avoid module or rack damage.

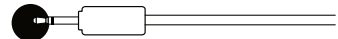
1. Ensure the power connection is disconnected before installing the device.
2. Identify a 6HP free location in the rack to install the module.
3. Connect the 10 pin connector from the IDC ribbon power cable to the header on the rear side of the module. Ensure that the pins are aligned correctly with the red stripe on the ribbon conductor closest to the -12V pin on the header.
4. Do not connect the 16 pin header on the module to the power. This is used to connect compatible expansion module.
5. Insert the cable to the rack and connect the 16 pin side of the IDC ribbon cable to the rack power supply header. Ensure that the pins are aligned correctly with the red stripe on the ribbon conductor closest to the -12V pin on the header.
6. Mount and position the module into the dedicated rack position.
7. Attach the 2 x M3 screws by screwing into the 4 locator holes and the rack mount. Do not over tighten.
8. Power up the rack and observe the module start up.



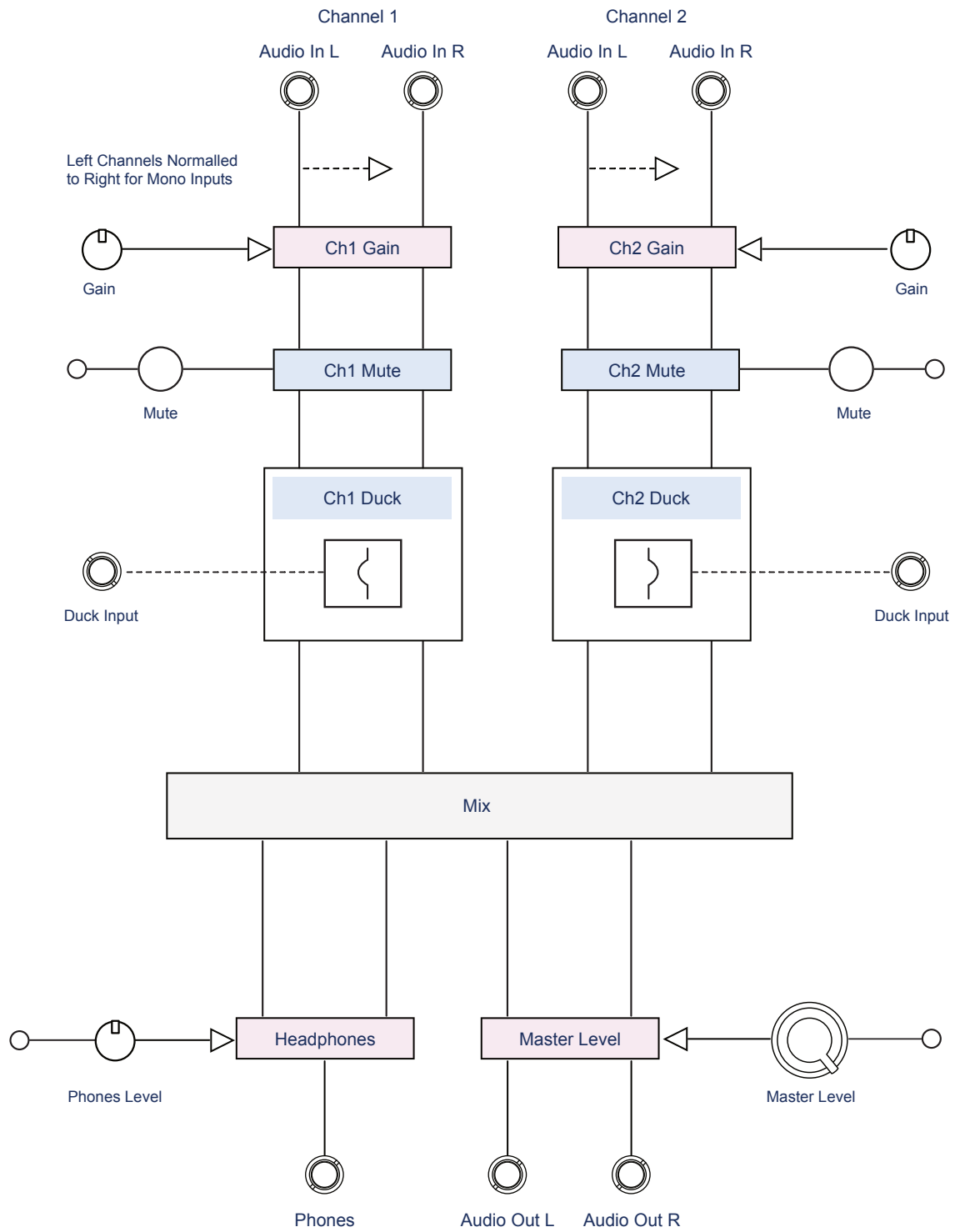


Press or Turn

Plug and Patch



- 1 Main output level control.
- 2 Main Level LED indicator (Tri-color - White, Blue, Pink - Red is muted).
- 3 Channel 1 Mute LED indicator. Red is Muted.
- 4 Channel 1 Mute Button. Toggles mute on/off.
- 5 Channel 1 Gain Level.
- 6 Channel 1 Left Audio Input. Sums to the right input if single connection.
- 7 Channel 1 Right Audio Input.
- 8 Channel 1 Ducking Input.
- 9 Channel 2 Mute LED indicator. Red is Muted.
- 10 Channel 2 Mute Button. Toggles mute on/off.
- 11 Channel 2 Gain Level.
- 12 Channel 2 Left Audio Input. Sums to the right input if single connection.
- 13 Channel 2 Right Audio Input.
- 14 Channel 2 Ducking Input.
- 15 Headphone Out LED indicator. Level - Tri-color - White, Blue, Pink.
- 16 Headphone Out Level Control
- 17 Headphone Output
- 18 Audio Left Output
- 19 Audio Right Output



## INPUT / OUTPUT ASSIGNMENT

Transit has two channels of audio each with input gain control. Ducking effect on each channel operates like a traditional sidechain compressor where a CV or Trigger input i.e. LFO, Clock, Gate modulates the gain reduction of the audio.

|                  |          |          |
|------------------|----------|----------|
|                  | Ch1 Duck | Ch1 Duck |
| <b>CV / Gate</b> | +/-5V    | +/-5V    |

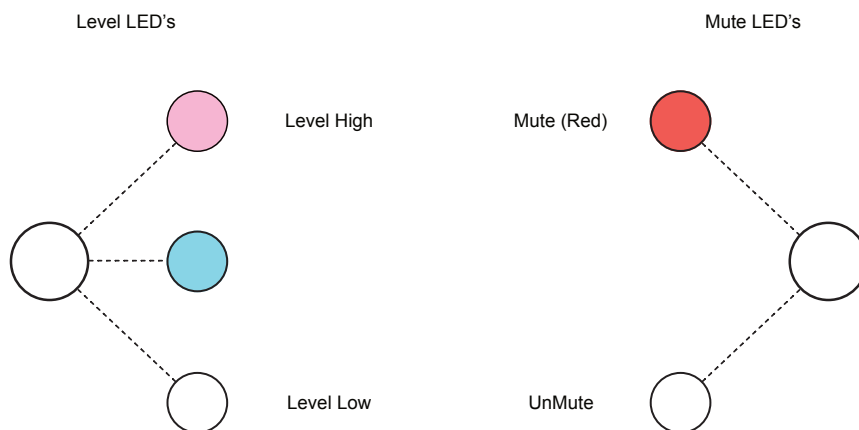
Use CV or Gate to apply a ducking effect to the audio

|               |         |         |        |
|---------------|---------|---------|--------|
|               | Audio L | Audio R | Phones |
| <b>Input</b>  | Mono *  | Mono    |        |
| <b>Output</b> | Mono    | Mono    | Stereo |

\* A single input connected to the left channel will normalise audio to the right input.

Transit has a 16 pin header on the rear for connecting between compatible expansion modules.

Control levels and controls are reflected in the respective Tri-color LED's for Master level, Mutes and Headphone output level.





## Limited Warranty

Modbap Modular warrants all products to be free of manufacturing defects related to materials and/or construction for a period of one (1) year following the product's purchase date by the original owner as certified by proof of purchase (i.e. receipt or invoice).

This non-transferrable warranty does not cover any damage caused by misuse of the product, or any unauthorized modification of the product's hardware or firmware.

Modbap Modular reserves the right to determine what qualifies as misuse at their discretion and may include but is not limited to damage to the product caused by 3rd party related issues, negligence, modifications, improper handling, exposure to extreme temperatures, moisture, and excessive force.

Modbap, Transit and Beatppl are registered trademarks.

All rights reserved. This manual is designed to be used with Modbap modular devices and as a guide and aid to working with the eurorack range of modules. This manual or any portion thereof may not be reproduced or used in any manner whatsoever without the express written permission of the publisher except for personal use and for brief quotations in a review.

Manual Version 1.0 - May 2022

(Firmware Version 1.0)

Manual designed by Synthdawg

[www.synthdawg.com](http://www.synthdawg.com)





BUILT FOR EURORACK  
DOPE ENOUGH FOR BOOMBAP!

Firmware  
V1.0



[www.modbap.com](http://www.modbap.com)