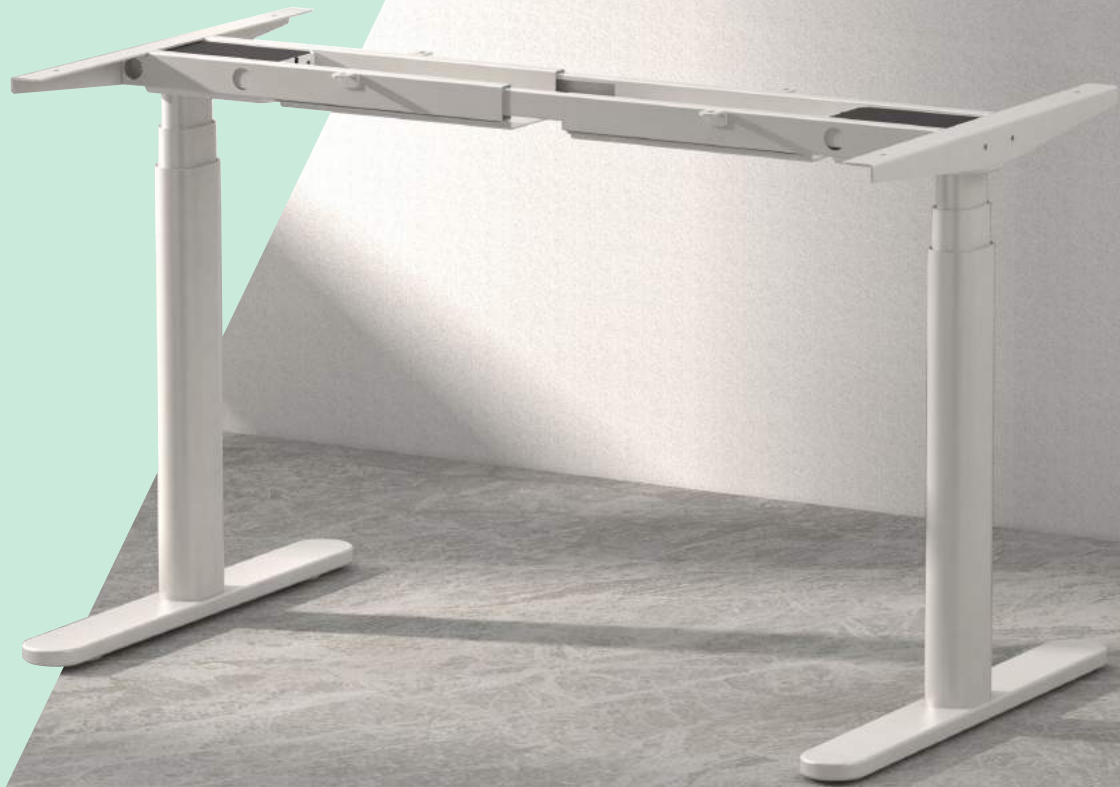


MAIDESITE

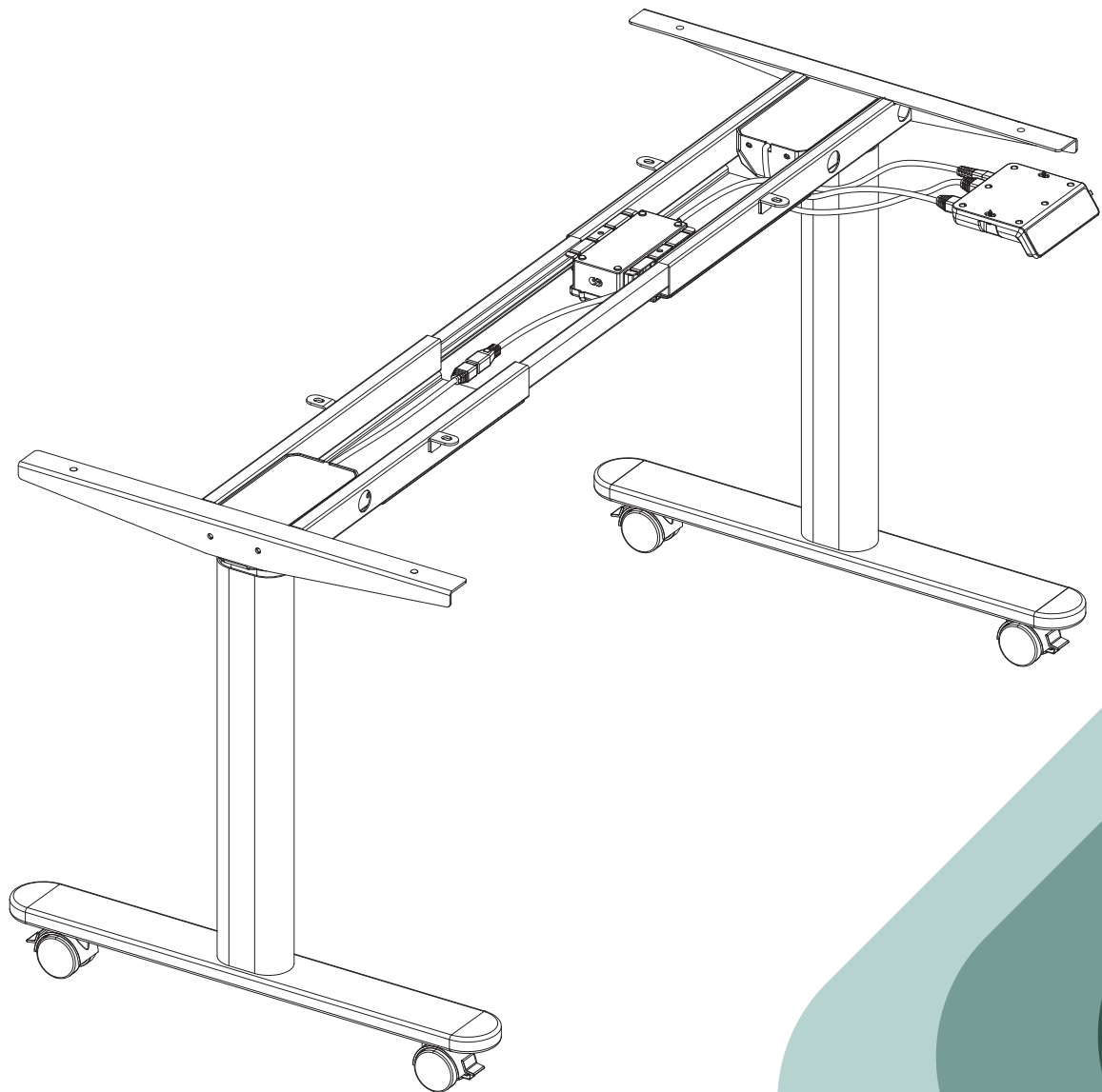


**Standing Desk Frame
User Guide
TH2 Pro Plus**

MAIDESITE

Standing Desk Assembly Instructions

English



Email(EU): Customerservice-EU@maidesite.com
Website(EU): www.maidesite.de
Website(UK): www.maidesite.co.uk
YouTube: Maidesite Office
Facebook: Maidesite Desk
Instagram: Maidesite Standing Desk

Warm prompt



Make sure no obstacles are in the desk's path.
Make sure the desktop is not touching any walls.
Make sure all cords are appropriate length to accommodate the change in height.



 **WARNING**

Pinch Point
Keep hands
and fingers
clear.



Keep children away from electric height-adjustable desks, control units and handsets. There is a risk of injury and electric shock.



Keep all electrical components away from liquids.



Do not sit or stand on the desk frame. Do not crawl or lie under the desk frame.



Do not place any objects taller than 20" underneath the desk.



Do not open any of the components - the Legs, Control Box, or Switch.
There is a danger of electric shock.



This product is designed with a duty cycle of 10% (2 min. on, 18 min. off).



In the event of a power outage or if the power cord is unplugged, a manual reset may be necessary - see USE section.



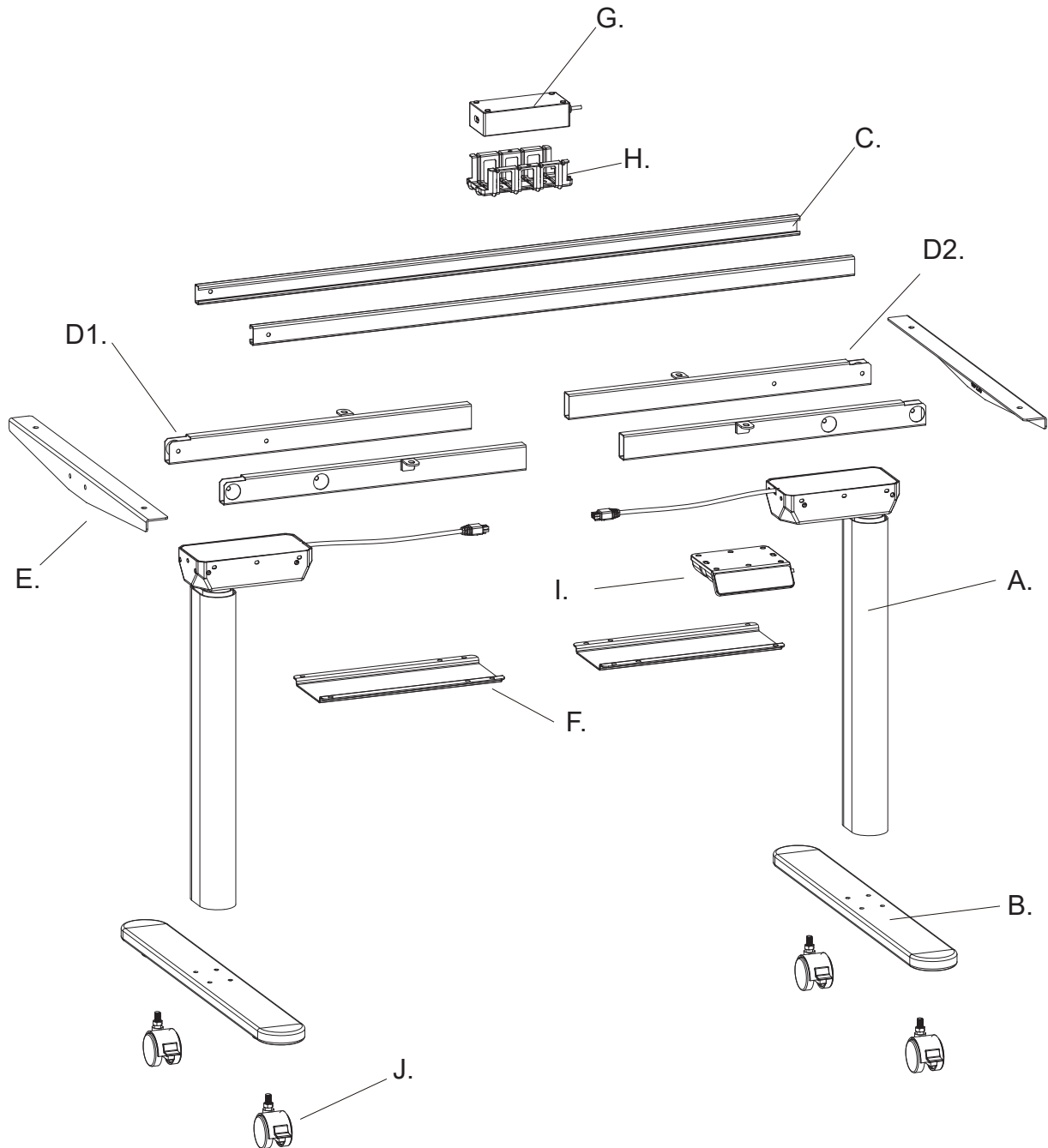
USE/ LIABILITY

- ◆ This height adjustable desk has electric motors and is designed for use in dry work areas only.
- ◆ The desk height is adjustable so that it can be positioned at the most ergonomically suitable height.
- ◆ Any other use is at user's risk.
- ◆ Under no circumstances does the manufacturer accept warranty claims or liability claims for damages caused from improper use or handling of the desk frame.

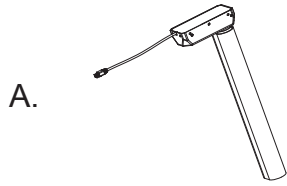
30 min
Assembly Time

Persons Needed

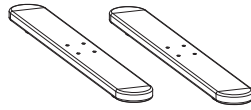
Self provided tools



Parts List



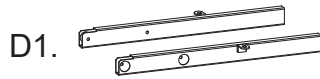
A. Lifting Column ×2



B. Foot ×2



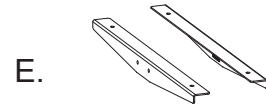
C. Central Rail ×2



D1. Left Crossbar End



D2. Right Crossbar End



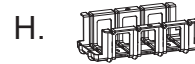
E. Side Bracket ×2



F. Cable Management Cover ×2



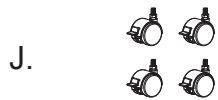
G. Power Adapter



H. Adapter Fixture



I. Control Panel



J. Caster × 4



K. Power Cable

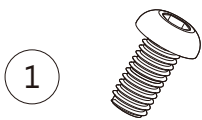


L. Extension Cable ×2

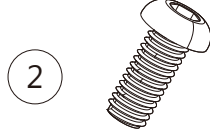


M. Cable Clip ×8

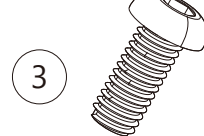
Hardware List



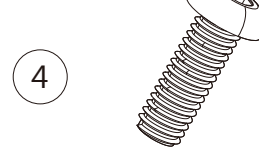
1 M6*8 Machine Screw × 16



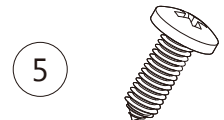
2 M6*12 Machine Screw × 8



3 M6*14 Machine Screw × 8



4 M6*16 Machine Screw × 8



5 ST5*0.8*16 Tapping Screw × 12



6 M4 Allen Wrench



7 Screwdriver



8 Back-up Screws

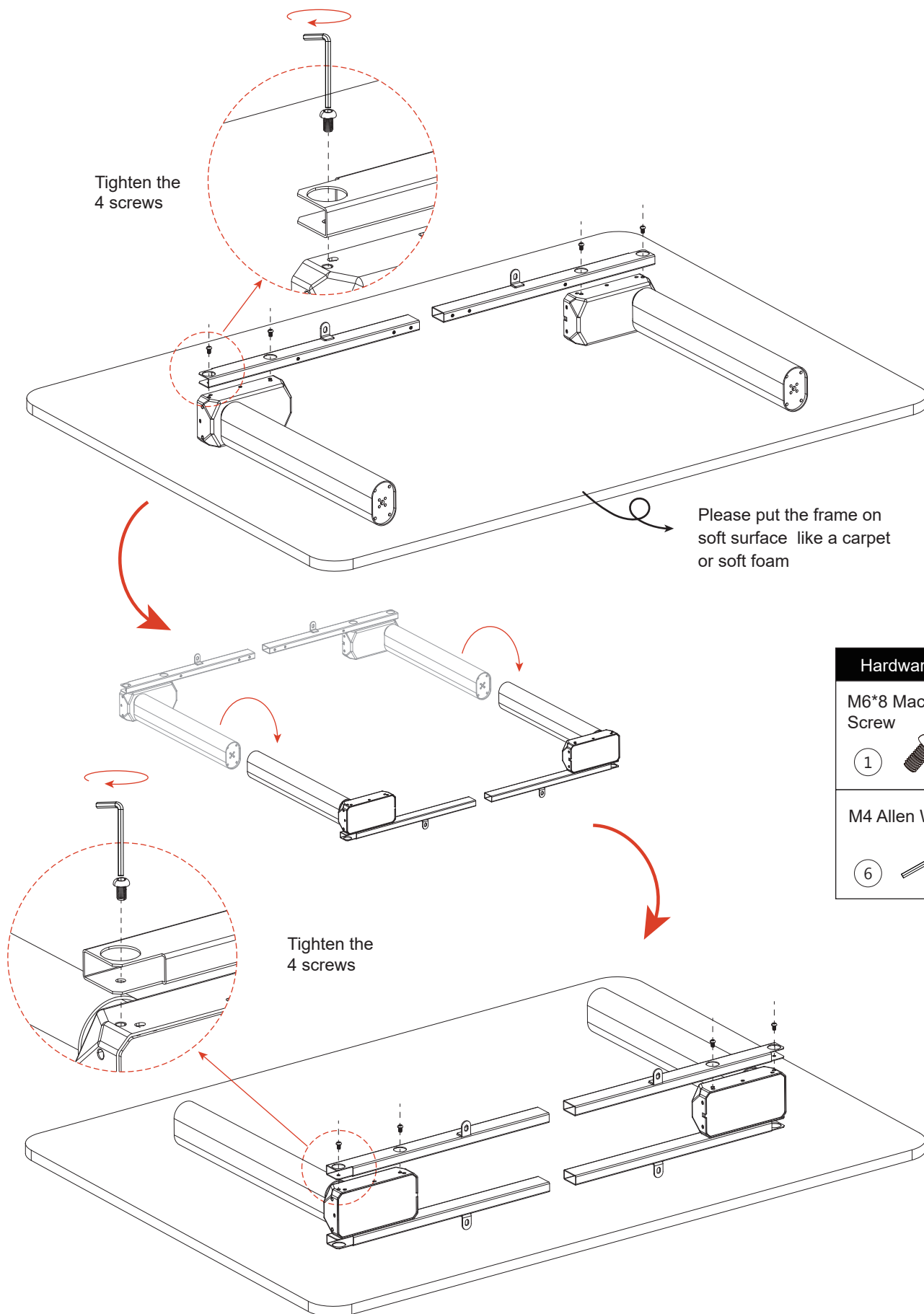


9 M14 Open End Wrench

Standing Desk Assembly

MAID SITE

STEP 1: Assemble the lifting Columns



Hardware List


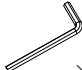
M6*8 Machine Screw

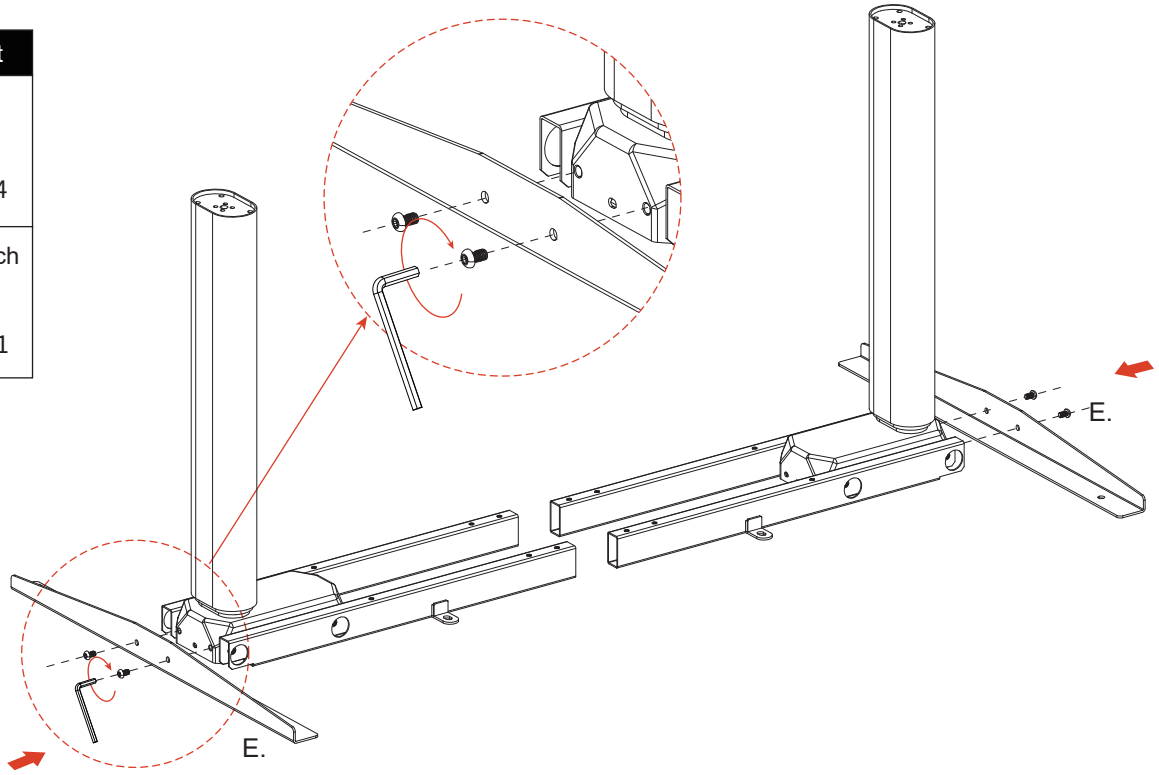
①  ×8

M4 Allen Wrench



⑥  ×1

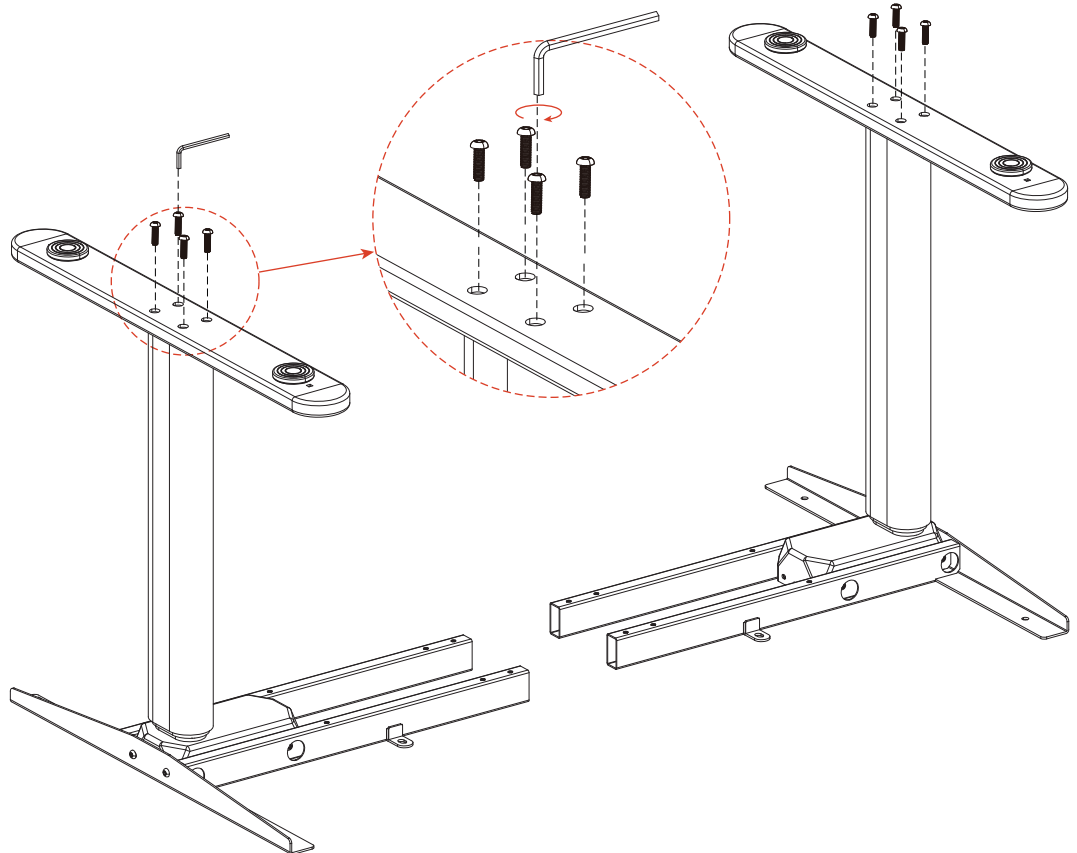
STEP 2: Install the Side Bracket

- Hardware List**
- M6*8 Machine Screw
①  ×4
 - M4 Allen Wrench
⑥  ×1

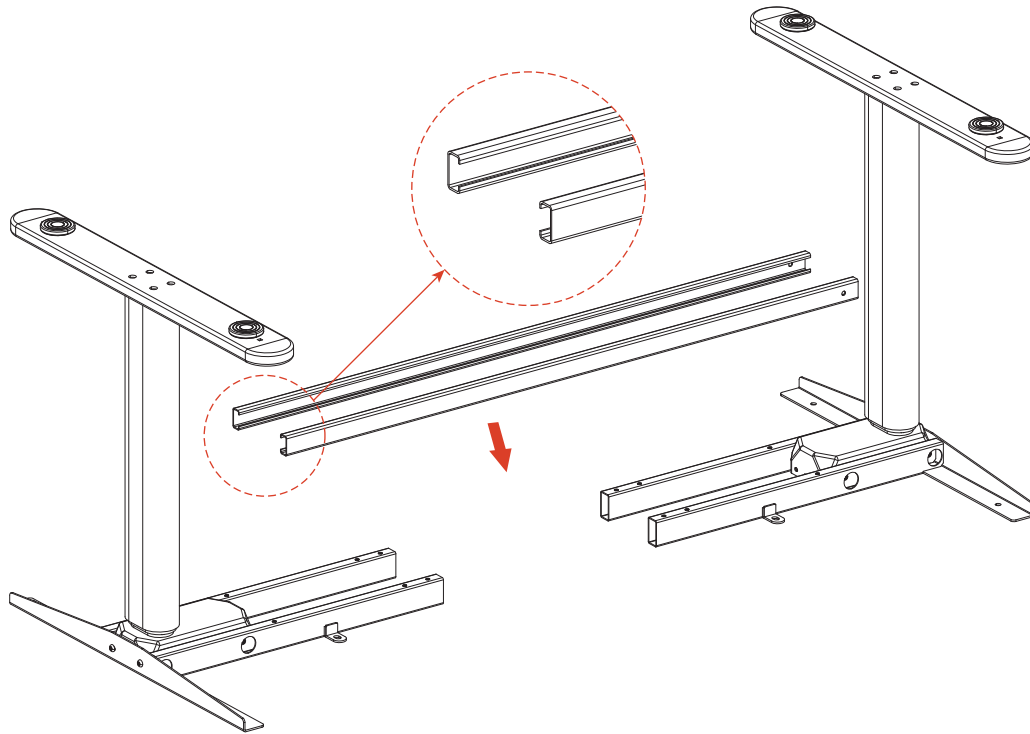


STEP 3: Assemble the Feet

- Hardware List**
- M6*16 Machine Screw
④  ×8
 - M4 Allen Wrench
⑥  ×1

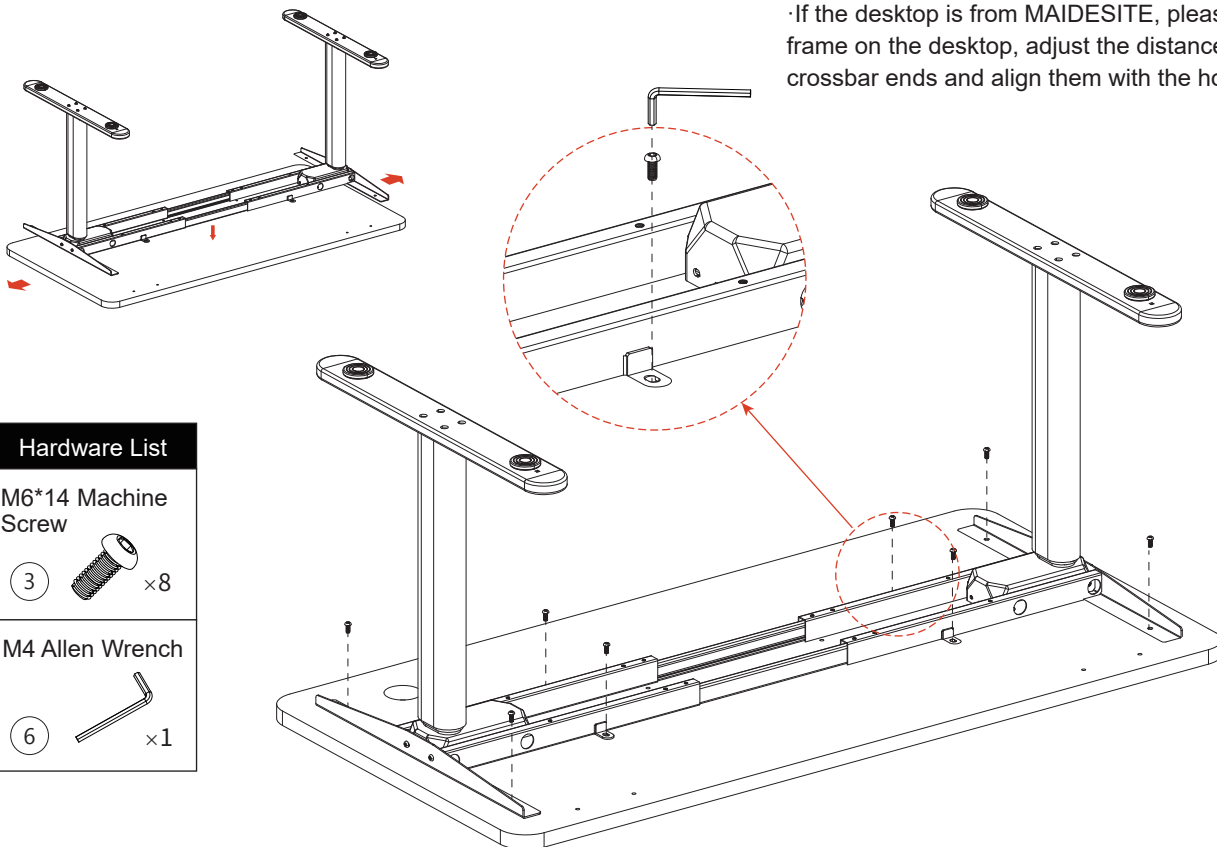


STEP 4: Assemble the Frame and Center Rails 



STEP 5: Assemble the Frame and the Desktop from MAIDESITE 

·If the desktop is from MAIDESITE, please put the frame on the desktop, adjust the distance between crossbar ends and align them with the holes.

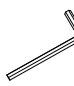


Hardware List

M6*14 Machine Screw

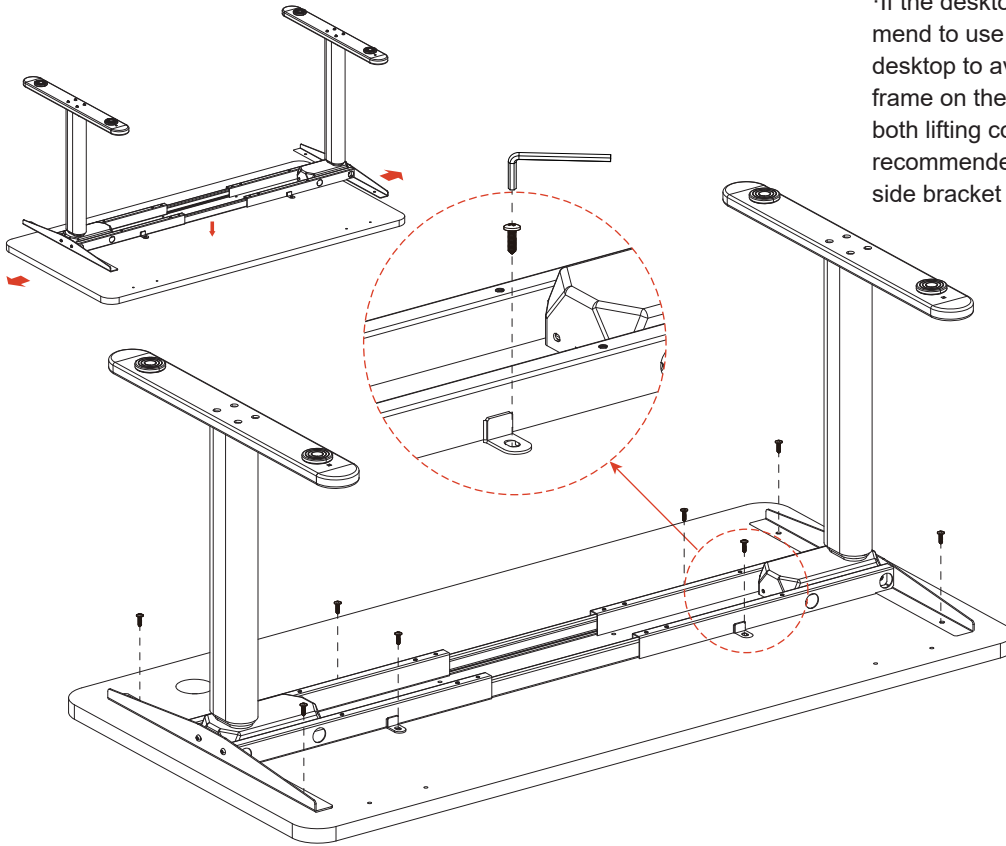
③  ×8

M4 Allen Wrench

⑥  ×1

STEP 5: Assemble the Frame and the Desktop from other brand

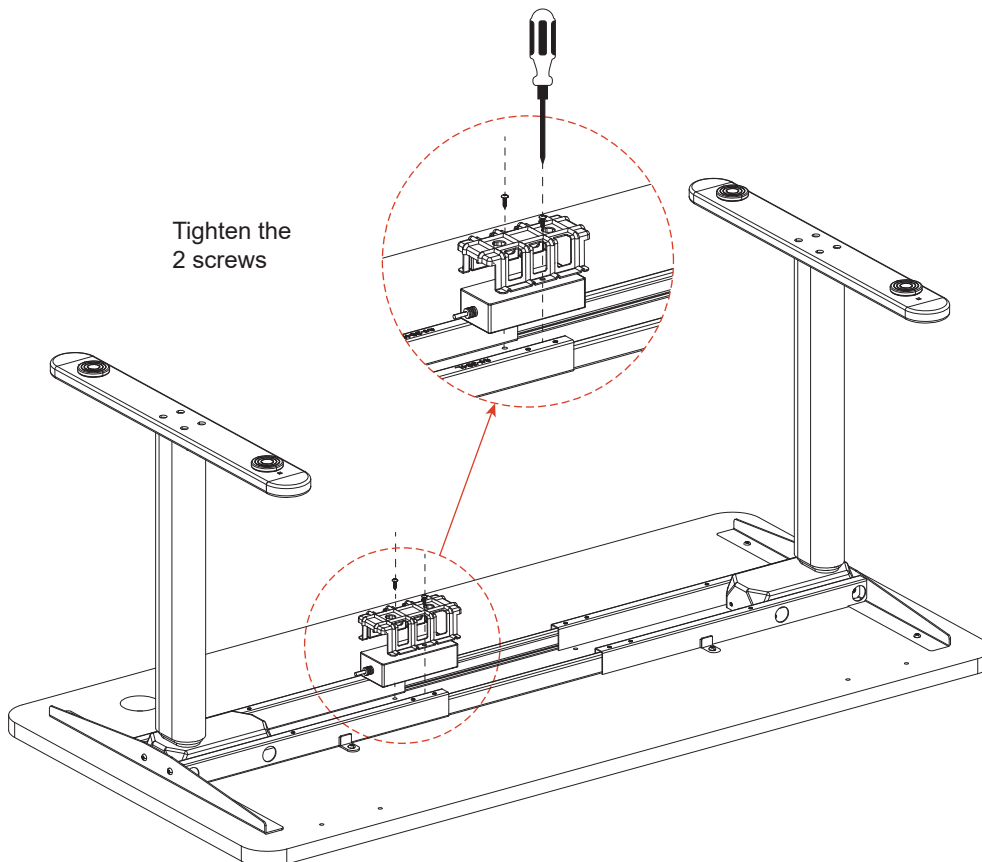
·If the desktop is from other brand (We recommend to use a 25mm or thicker third-party desktop to avoid cracking the top), put the frame on the axis on the desktop and adjust both lifting columns to proper positions.(It's recommended that the distance between the side bracket and the edge of the desk be 5cm)



Hardware List	
ST5*0.8*16 Tapping Screw	
5	×8
Screwdriver	
7	[Screwdriver icon]

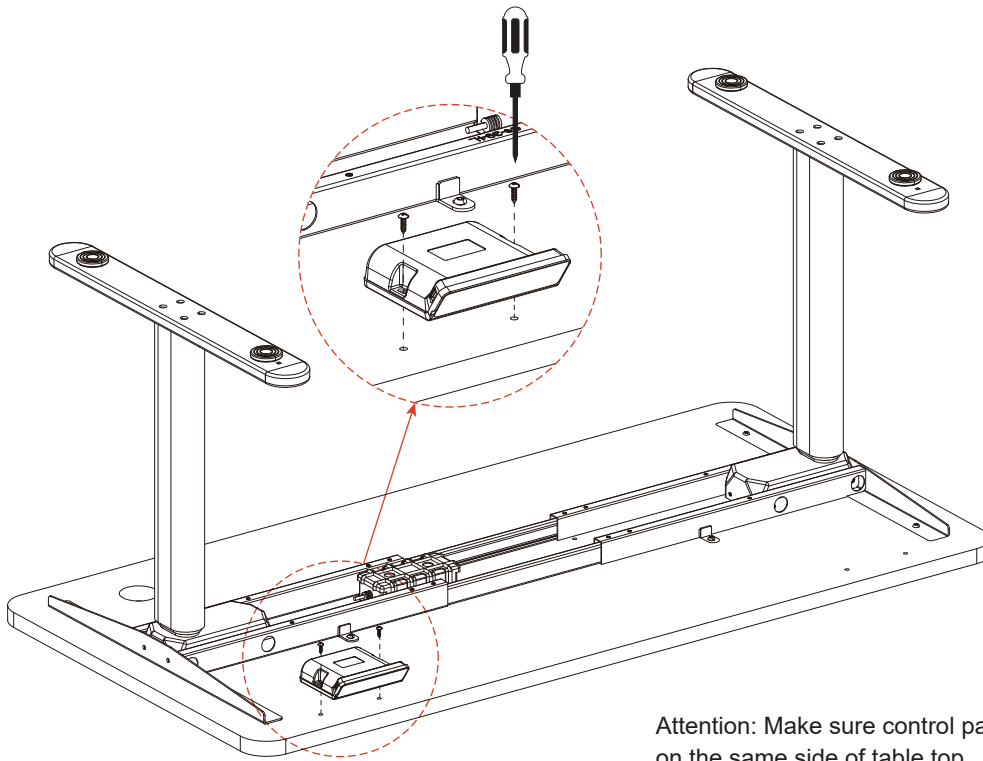
STEP 6: Install the Adapter and Fixture



Tighten the 2 screws



Hardware List	
ST5*0.8*16 Tapping Screw	
5	×2
Screwdriver	
7	[Screwdriver icon]

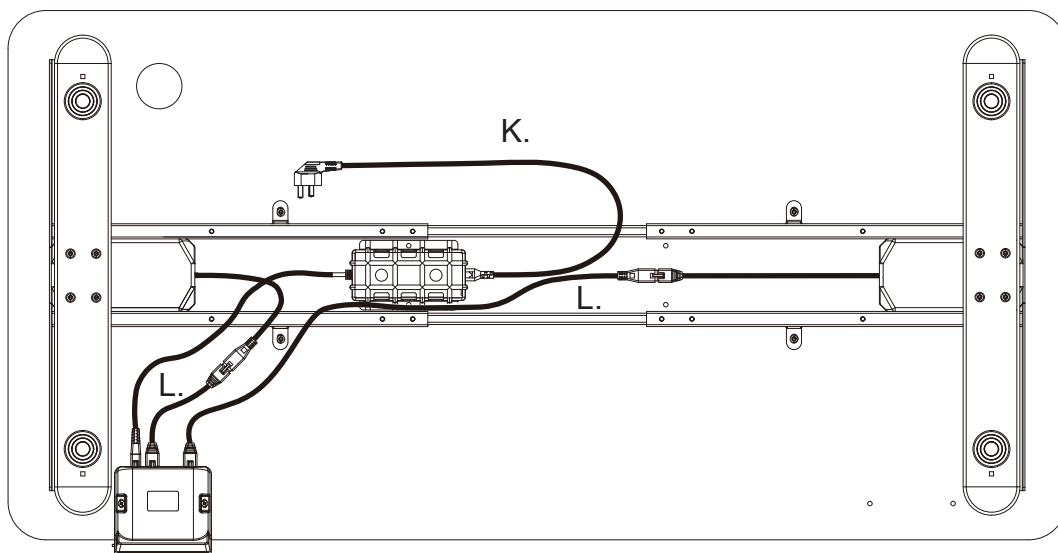
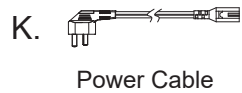
STEP 7: Install the Control Panel



Hardware List	
ST5*0.8*16 Tapping Screw	
5	 x2
Screwdriver	
7	

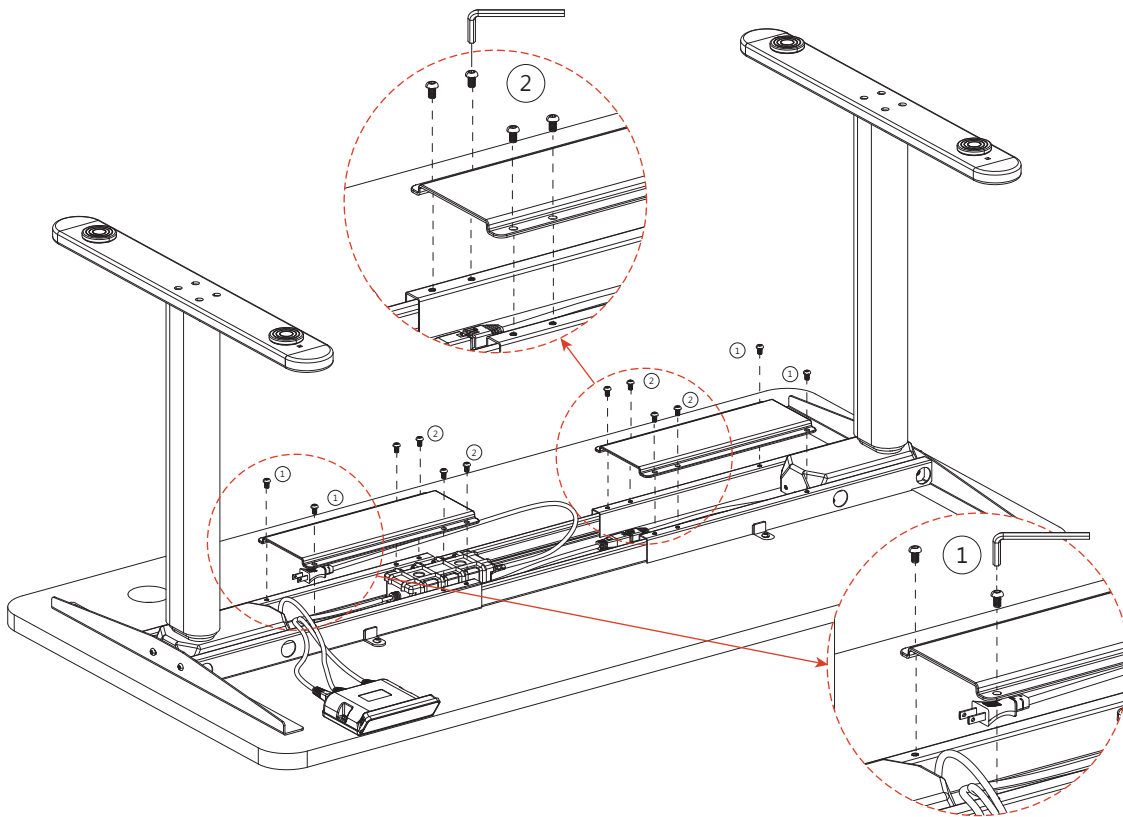
Attention: Make sure control panel and adapter are on the same side of table top.

STEP 8: Connect Wires



Connect the power cable, wires on the control panel, extension cable and the cable on lifting column to the corresponding ports.

STEP 9: Install the Cable Management Cover

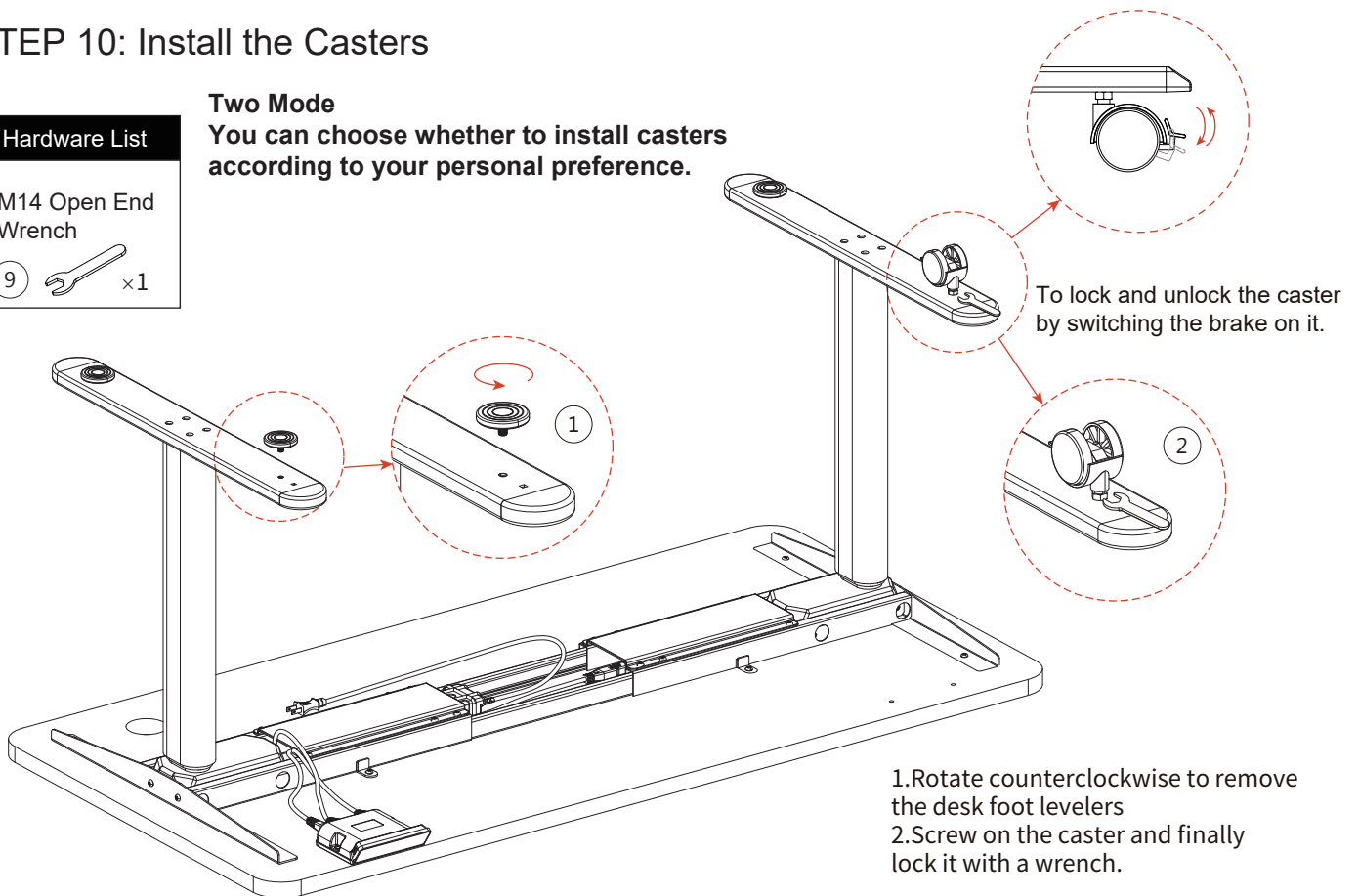


Hardware List	
M6*8 Machine Screw	
①	×4
M6*12 Machine Screw	
②	×8
M4 Allen Wrench	
⑥	×1

STEP 10: Install the Casters

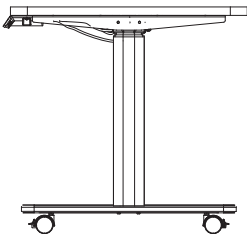
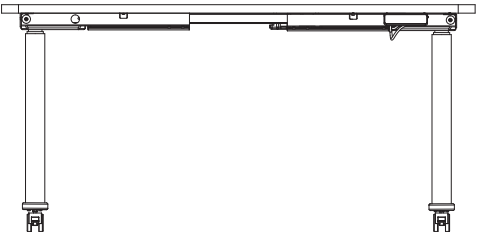
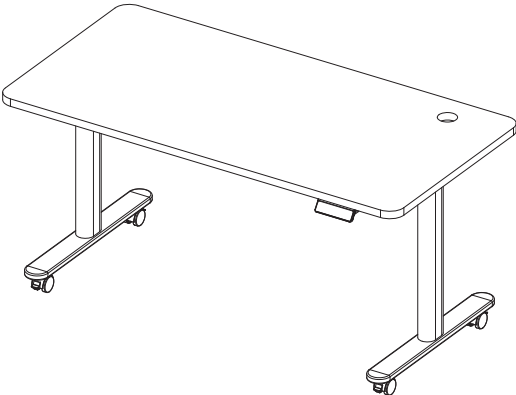
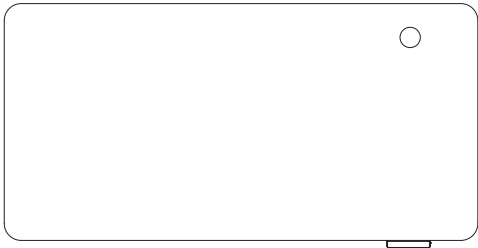
Hardware List	
M14 Open End Wrench	
⑨	×1

Two Mode
You can choose whether to install casters according to your personal preference.

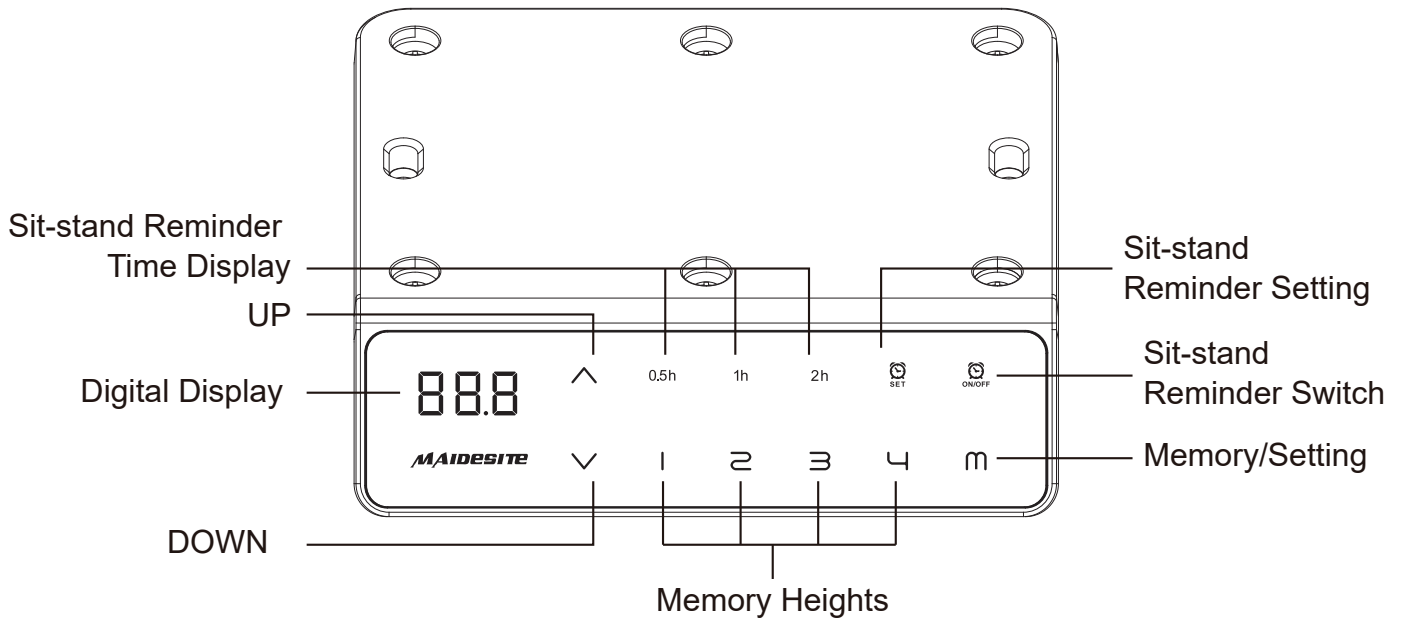


1. Rotate counterclockwise to remove the desk foot levelers
2. Screw on the caster and finally lock it with a wrench.

STEP 11: Upright the desk and plug it in to proceed the running check. 



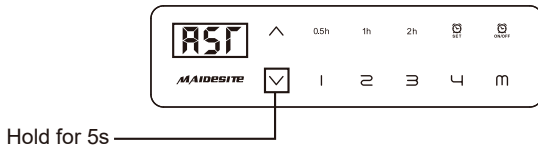
Proceed running checkout according to the control panel setup instruction on P11.



CAUTION Please ensure that no objects (walls) will interrupt the movement of the desk, and all cables of relevant devices are sufficiently long.

Please **RESET** the desk at **the first time use**.

#1 RESET



1. Enter the RST mode:

Hold the 'DOWN' key for 5s while the desktop is at the lowest position (otherwise lower the desktop first). The digital display shows 'RST'. Now the system enters RST mode.

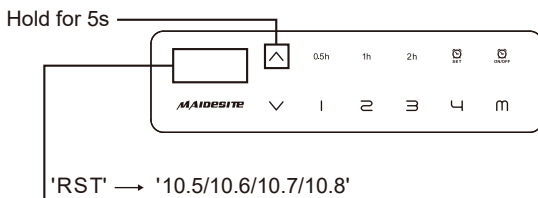
2. Quit the RST mode:

Hold the 'DOWN' key again until the desktop moves down slightly and then moves up slightly. The display shows the current height. The system quits RST mode.

The control panel **must be fixed** horizontally under the desktop **before use**.

Please set the sensitivity of the Anti-collision function according to your usage habits.

#2 Anti-collision Sensitivity Setting

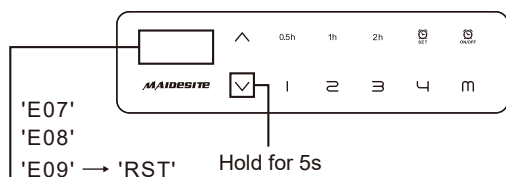


Press and hold the DOWN button, the digital display showing 'RST'. Press and hold the 'UP' button for 5 seconds, you can adjust the Anti-collision sensitivity. Press and hold the 'UP' button for 5 seconds each time, the digital display will switch to one of the following options:

- '10.5' - least sensitive (default initial setting)
- '10.6' - normal sensitivity
- '10.7' - moderate sensitivity
- '10.8' - maximum sensitivity

After the selected settings are displayed, release and wait for 5 seconds, the display will return to 'RST.' Press and hold the 'DOWN' button to exit the reset state.

The next parts can be set according to your preference.



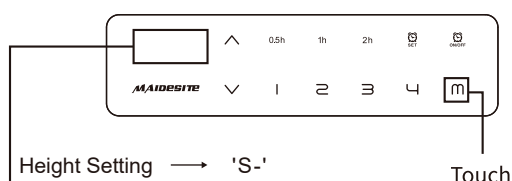
Reset Exception Protection:

Condition

The digital display shows error E07/E08/E09
Disconnecting/Reconnect power, the error still remains.
Pressing any key has no effect.

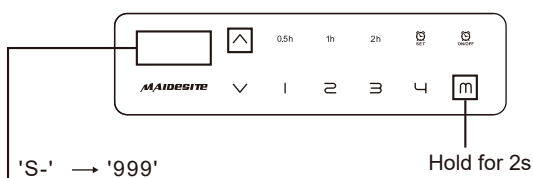
Operation

Hold the 'DOWN' key for 5s, the digital display shows RST.
Release and hold the 'Down' key again to reset the desk.
(Note: This operation is also applicable to forced reset.
Please lower the desk to the lowest position first when forced reset.)



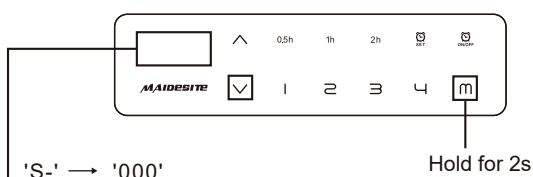
Memory Height Setting:

Touch the 'M' key, the display shows 'S-', Touch one number key from 1-4, the current height will be stored to that key. Press that key, your desk will move to the height automatically.



Set the upper limit:

Touch the 'M' key: the display shows 'S-'.
Touch the 'UP' key: the display flashes.
Touch and hold the 'M' key for 2s until the display shows '999'. The upper limit is now stored.



Set the lower limit:

Touch the 'M' key: the display shows 'S-'.
Touch the 'DOWN' key: the display flashes.
Touch and hold the 'M' key for 2s until the display shows '000'.
The lower limit is now stored.



Delete height limits:

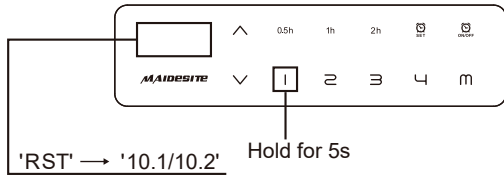
Touch the 'M' key: the display shows 'S-'.
Touch and hold the 'M' key for 2s until the display shows '555'.
Both upper and lower limits are deleted.



Change the RESET height:

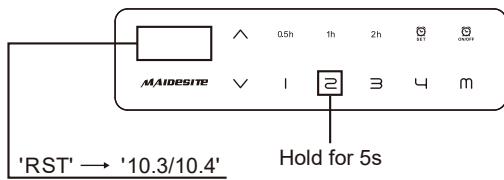
Enter the RST mode (see instructions above).
Touch and hold the 'M' key for 5s: the display shows the reset height, and the screen flashes.
Touch and hold the 'UP' key or 'DOWN' key to change the value.
The display switches back to 'RST' if no operation is detected for 5s, indicating the change is successful.
Quit the RST mode (see instructions above).

The next parts can be set according to your preference.



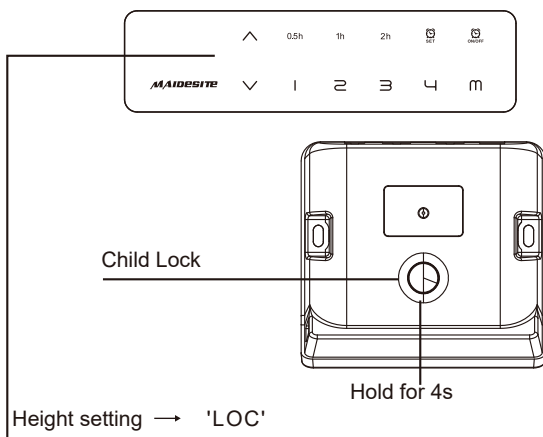
Switch the movement mode of the memory height:

Enter the RST mode (see instruction above).
 Touch and hold the '1' key for 5s, the display shows one of the following:
 '10.1': One-touch movement (Default)
 '10.2': Constant-touch movement.



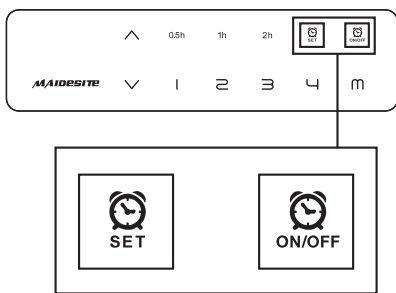
Change height unit(cm/inch):

Enter the RST mode (see instruction above).
 Touch and hold the '2' key for 5s, the display shows one of the following:
 '10.3': height display in cm (Default),
 '10.4': height display in inch.



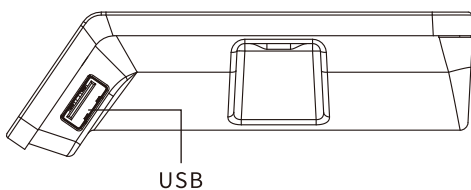
Child Lock

Touch and hold the Child Lock key for 4s: the displays shows 'LOC', and all keys at front are locked.
 Touch and hold the Child Lock key again for 4s to unlock.



Sit-stand Reminder:

First time use: The sit-stand reminder is active by default and the default time is 30 minutes. Touch the 'ON/OFF' key to turn on or off the sit-stand reminder.
 Touch the 'SET' key and then choose one of the reminder time. Please make sure that the sit-stand reminder is ON before setting the time.
 When the reminder time runs out, the hand control vibrates. Touch any key to stop the vibration and turn off the reminder.
 When the height of the desk is greater than 100 cm, the reminder will stop the timing and reset. When the height of the desk is less than 100 cm, the timing will restart.
Note: When there is no action, the reminder will be turned off after about 30 seconds of vibration



USB Charging port:

Output: DC 5V/0.8A

Q & A

Protection Mode		
Error Code	Description	Solution
RST(ASR)	RESET	Please try 'RESET' (Page11).
E07	No Connection	Please verify cable connections and attempt a 'RESET' (Page 11) as the initial troubleshooting step. If the issue persists, please contact our support team for further assistance.
E08		
H01	Over-heating protection	Please disconnecting the power and allowing the system to cool down for a duration of 20 minutes.
Anti-collision	The desk raises or lowers only for a short time	Please ensure that both the desk and the control panel are stable and firmly positioned without any discernible wobbling. If the issue persists, please kindly refer to the 'Anti-collision Sensitivity Setting' section on PAGE 11 of the manual and adjust the sensitivity to '10.7'.

If you have any further questions or need further assistance, please don't hesitate to contact our dedicated support team.
Email: Customerservice-eu@maidesite.com

Email(EU): Customerservice-EU@maidesite.com
Website(EU): www.maidesite.de
Website(UK): www.maidesite.co.uk
YouTube: [Maidesite Office](#)
Facebook: [Maidesite Desk](#)
Instagram: [Maidesite Standing Desk](#)

MAIDESITE