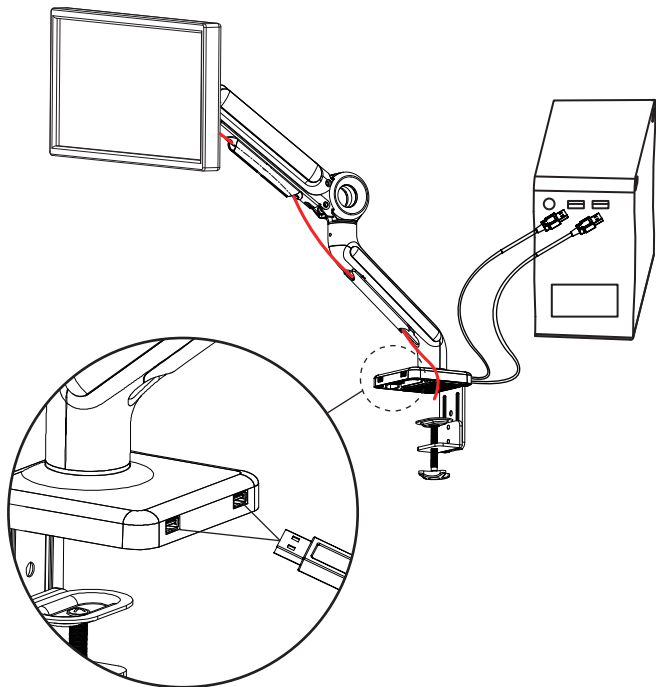


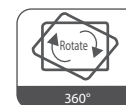
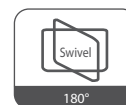
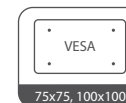
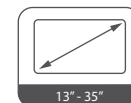
USB Expansion Function (Optional)



For version with USB ports(Optional),
expandable two USB functions for
charging, more convenient.








Gas Spring Aluminum LCD Monitor Desk Mount



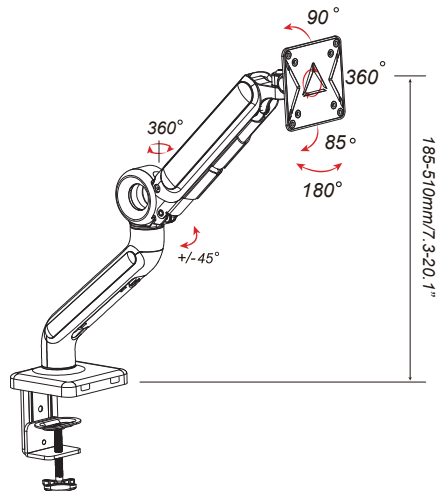
Installation **INSTRUCTIONS**

WARNING STATEMENTS

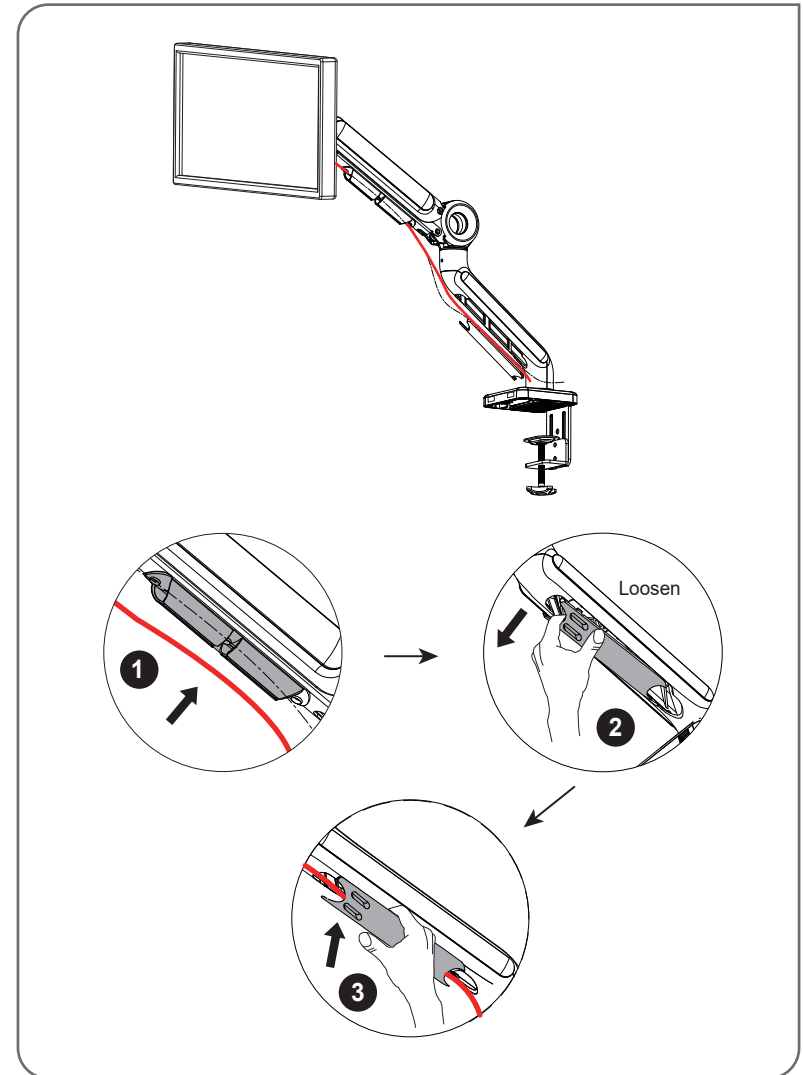
Warning

-  Prior to the installation of this product, the installation instruction must be read and completely understood. Failure to do so may result in personal injury, property damage or voiding of factory warranty.
-  Do not install on a structure that is prone to vibration, movement or chance of impact. Reinforce the structure as required before installation.
Make sure that the edge of table top is load-bearing enough.
-  The desk clamp can support a maximum thickness of 8 cm. Confirm the desk edge before installation.
-  Pay attention to the weight capacity of the mount. Exceeding the limitation can result in function unworkable or even serious personal injury and property damage.
-  Never operate the mount if parts are missing or damaged. Please contact our customer service team.

PRODUCT LINE GRAPH

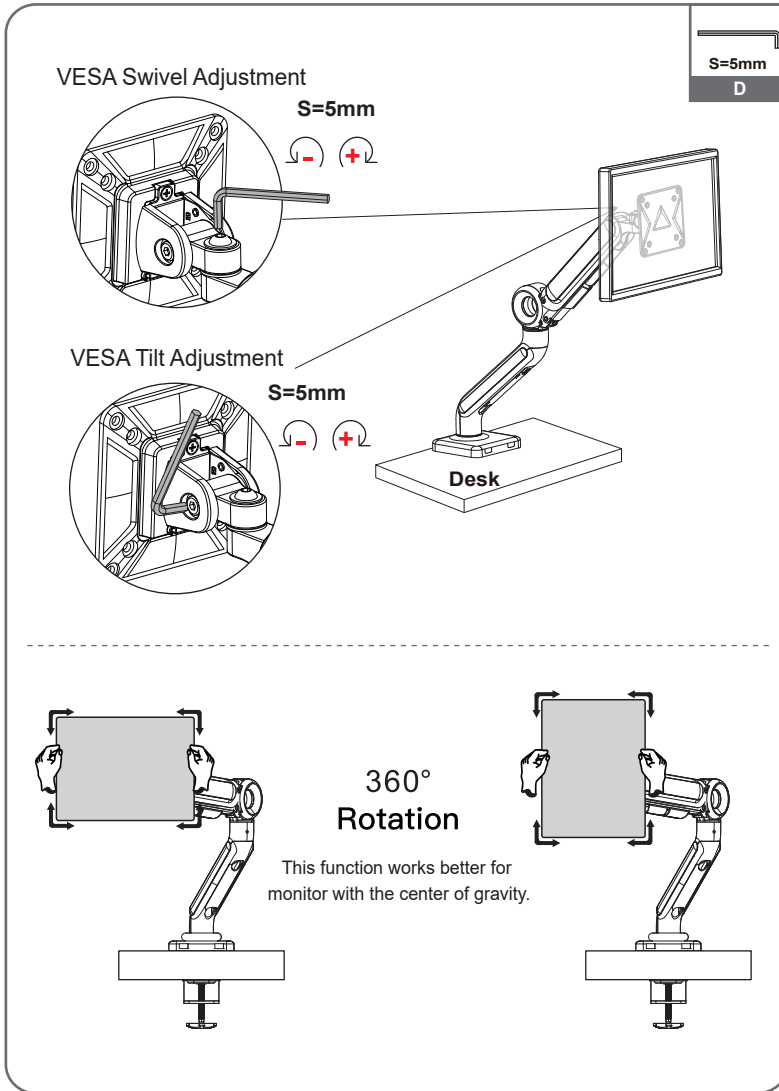


Step 8: Cable Management Installation



Organize cables using the clips in the upper arms.
Pull the lower cover out as shown, run cables through the lower arms and reattach the covers.

Step 7: Tilt & Swivel & Rotation Adjustment



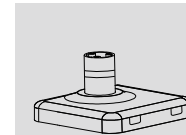
Use a 5mm hex wrench to adjust the damp for Tilt, Swivel and Rotation.
Turn counter-clockwise to reduce damping and clockwise to increase damping.

TOOLS REQUIRED NOT INCLUDED



PARTS INCLUDED

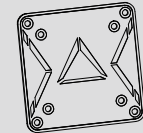
A	M4x12 (x4)	M4x30 (x4)	12X5.8X16 (x4)
B	M8x35 (x1)	M8 (x1)	Φ25.4X8.2X1.5 (x1)
C	M4x10 (x1)	M6x12 (x4)	
D	S=3mm (x1)	S=4mm (x1)	S=5mm (x1)
	(x1)		



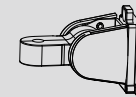
a (x1)
Base



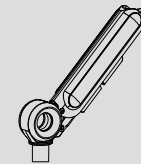
b (x1)
Clamp



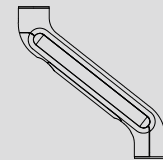
c (x1)
VESA Plate



d (x1)
Head

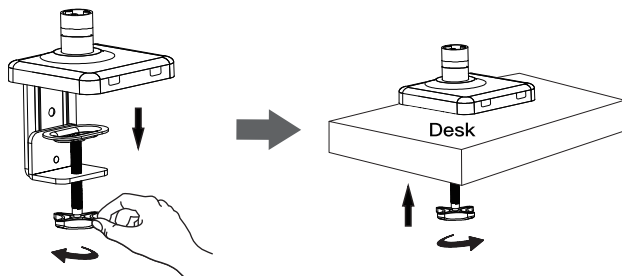
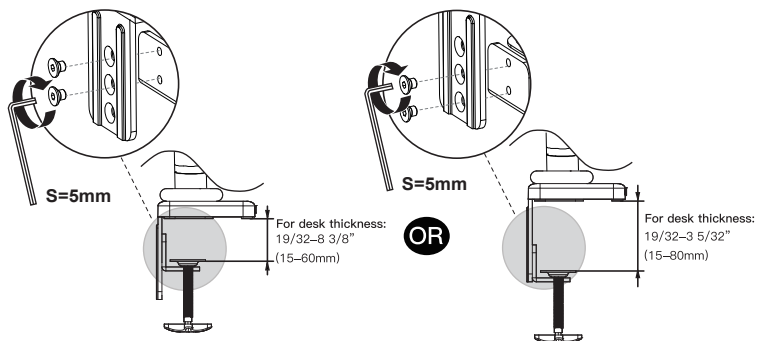
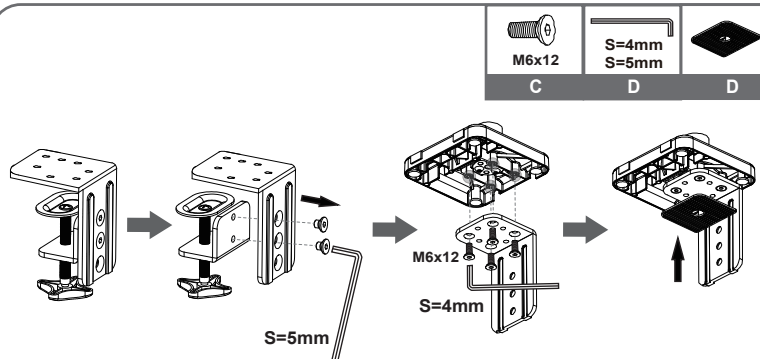


e (x1)
Gas Spring Arm



f (x1)
Lower Arm

Step 1: Clamp Installation

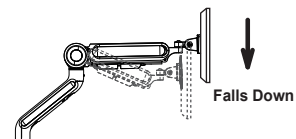


Adjust the Clamp width to fit with desk. Secure stand to desktop by tightening Clamp.

After this step, then Step 2 on Page 5.

S=5mm

D

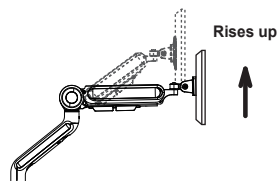


Problem:
After being attached to the arm, the monitor falls down and can not stay at the desired height by itself.

Solution:



Turn counter-clockwise(“+” direction) to increase gas spring tension until the monitor can stay at the desired height by itself.



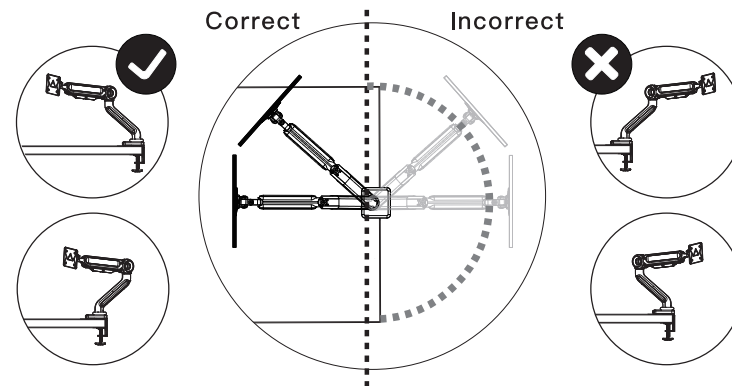
Problem:
After being attached to the arm, the monitor rises up and can not stay at the desired height by itself.

Solution:



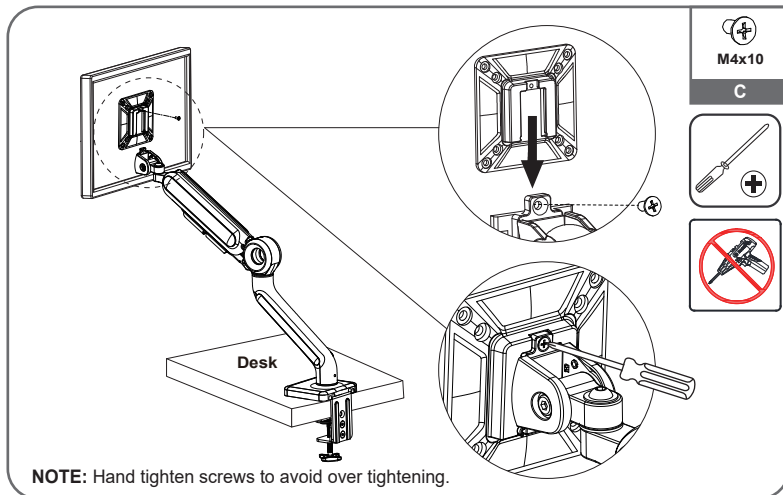
Turn clockwise(“-” direction) to reduce gas spring tension until the monitor can stay at the desired height by itself.

Step 6 : Rotation Restriction



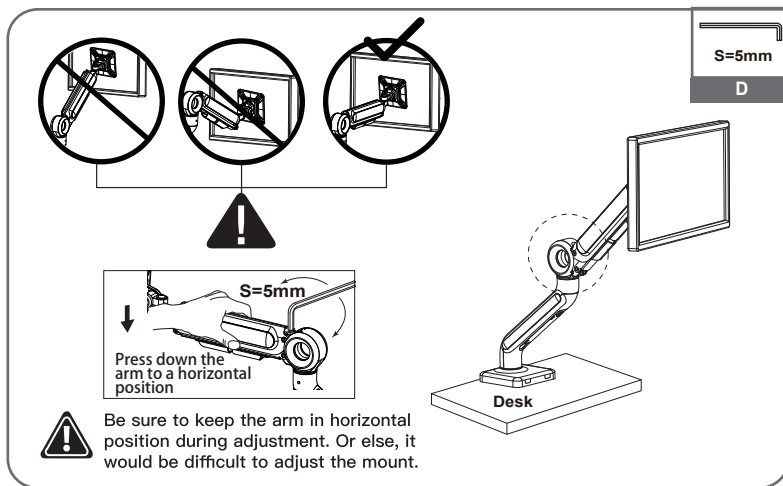
Please do not move stand outside desk for safety!

Step 4: Hang Monitor



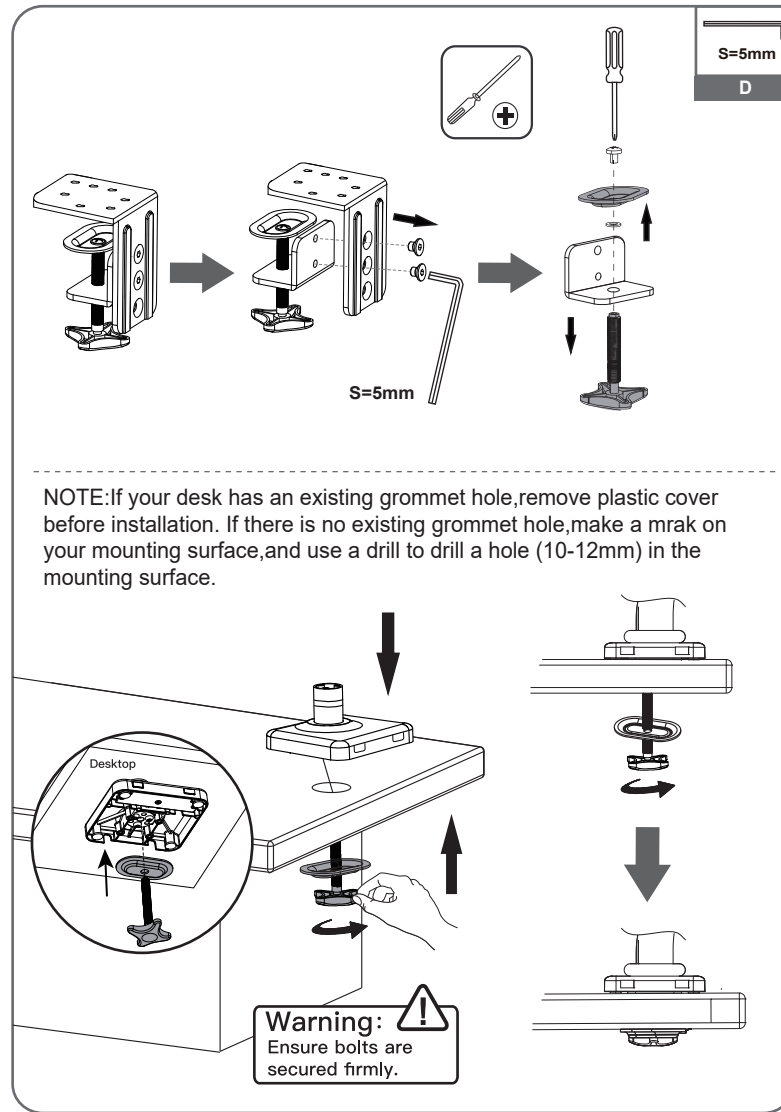
Slide the monitor onto the head of swivel arm, install the security bolt. Make sure the security bolt is installed before you rotate the monitor.

Step 5: Adjust Tension

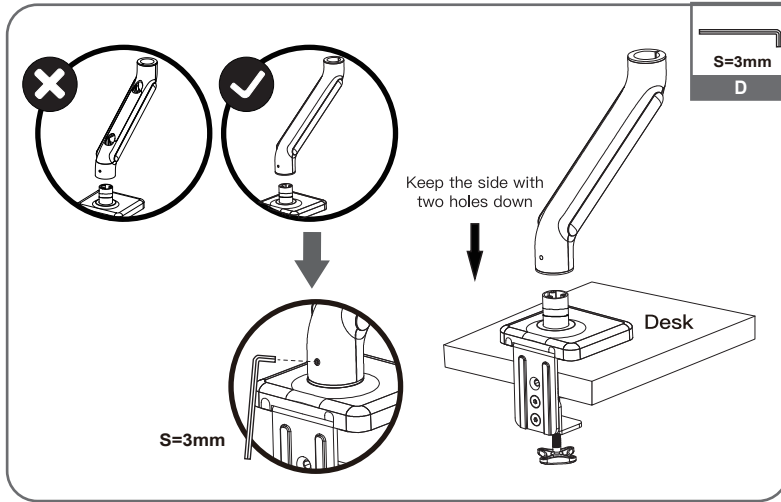


For proper functioning of this mount, depending on different weight of monitor you might need to adjust tension in the gas spring arm using 5mm hex wrench.

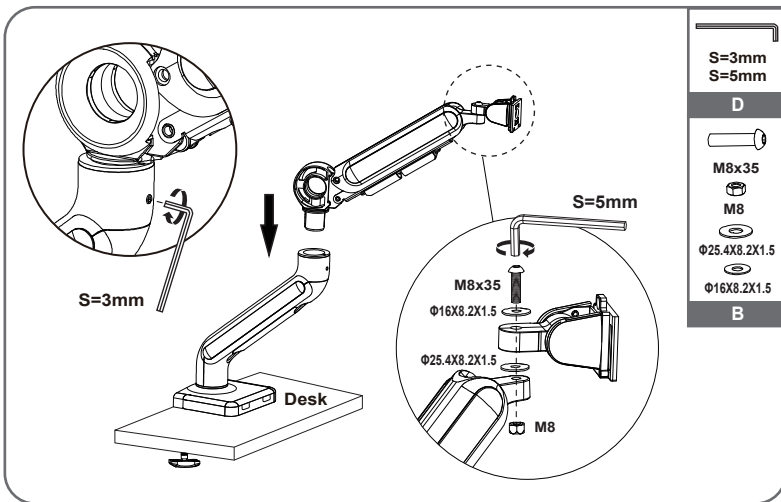
OR Step 1: Grommet Base Installation



Step 2 : Arm Installation

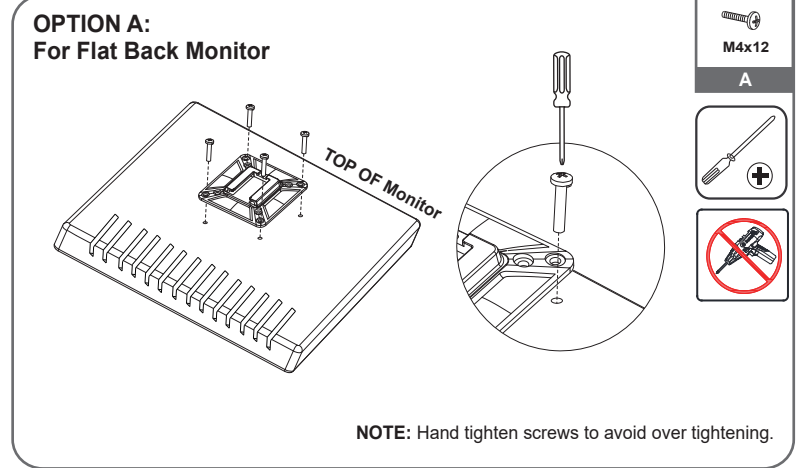


Install the lower arm to the base.
Secure the arm by tightening the inside screw using 3mm Allen key.

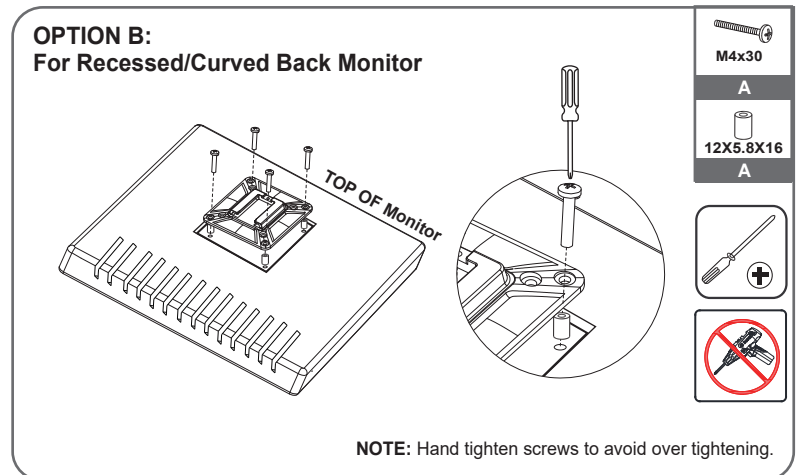


Insert the gas spring arm above the lower arm and fasten the screw in the front.

Step 3 : Attach Monitor



Flat surface installation: Install 4 short screws through faceplate to monitor via mounting holes. Do not tighten the screws excessively or your monitor might be damaged.



Recessed/Curved surface installation: Put 4 spacers between faceplate and monitor. Install 4 long screws through faceplate, spacers to monitor via mounting holes. Do not tighten the screws excessively or your monitor might be damaged.