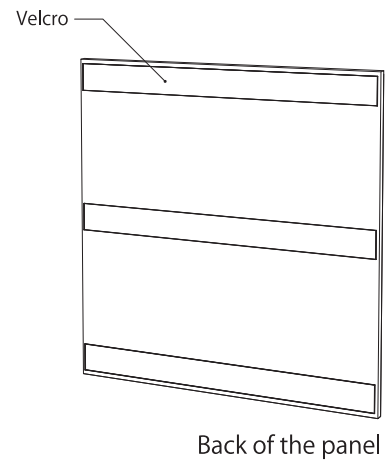
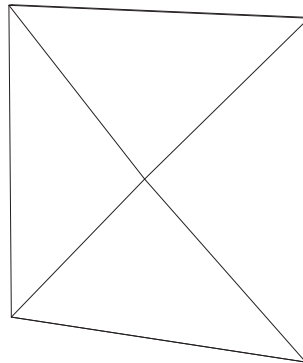


Wall-mount

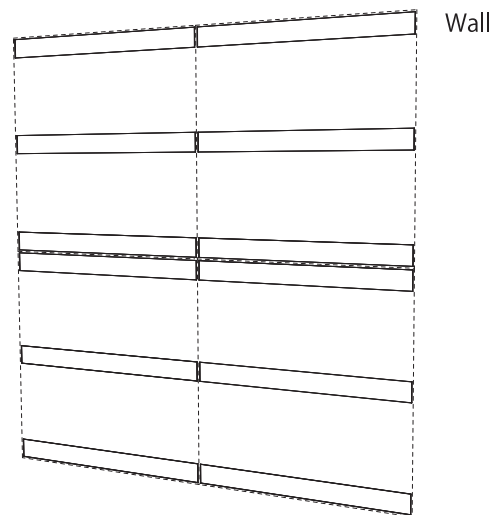
① Velcro mounting type

※Please choose Velcro according to your needs.

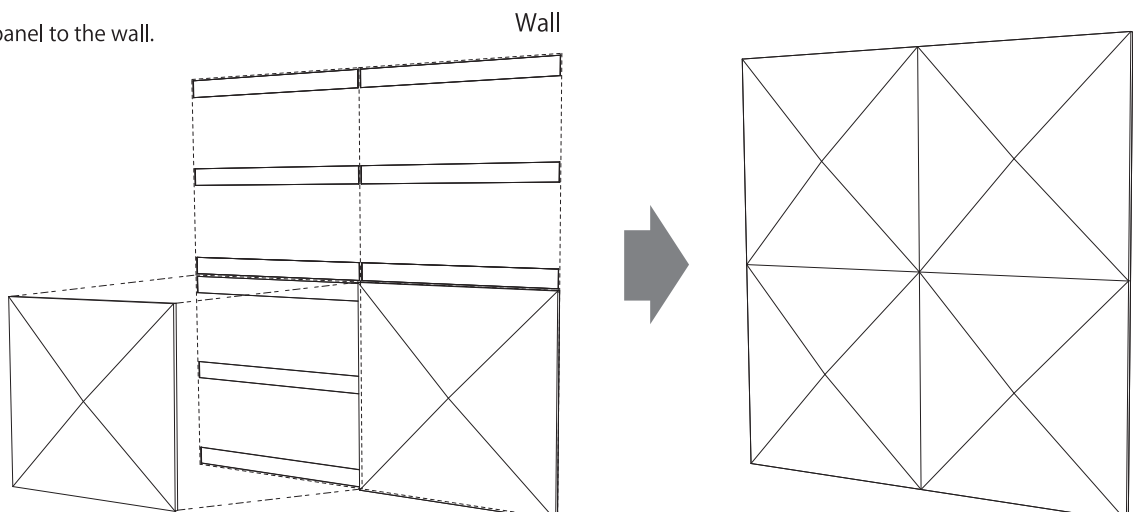
Attach one side of the Velcro to the back of the panel.
Reinforce the Velcro with a staple gun to increase its strength if needed.



Attach the other side of the Velcro to the desired mounting position on the wall.
Please adjust the mounting position according to the number and arrangement of the panels you want to install.



Attach the panel to the wall.



Wall-mount

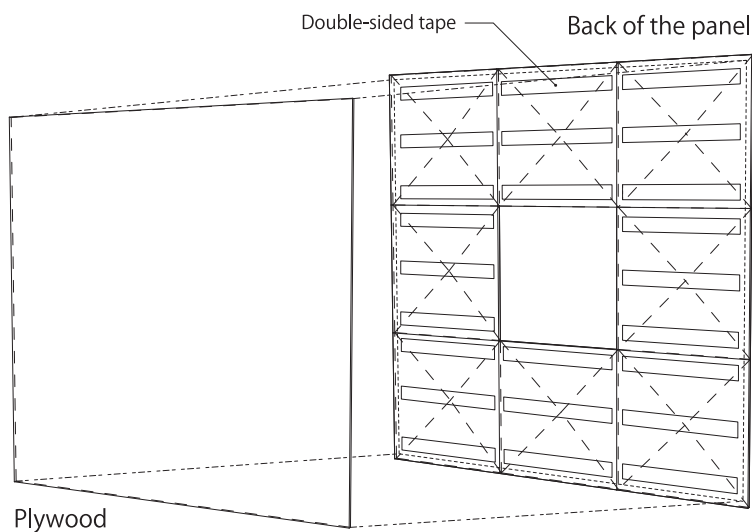
② Baseplate mounting type

※Prepare a base board such as plywood. Please choose the method of wall mounting according to the situation.

Prepare the plywood according to the layout of the panel you want to place. It will fit neatly if you make it smaller than the layout size of the panel.
Attach it the panels to the plywood with double-sided tape from the back of the panel.

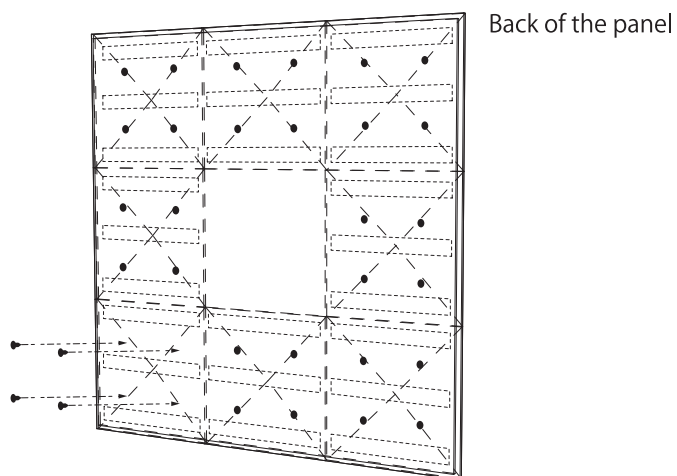
※ If it is necessary to fix the panel to the wall with screws, etc., one section should be left open without a panel attached.

※This figure shows the center area which is left open without a panel attached before screwing it to the wall. However please adjust which area of the panel will need to be screwed according to the size and weight of the panel.



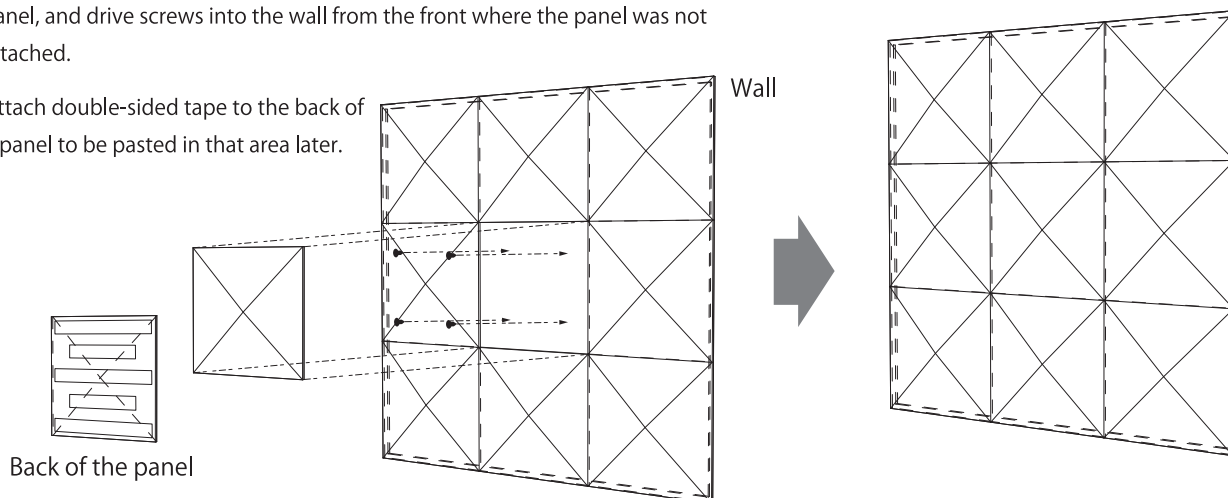
Drive screws from the back of the plywood into the panel mounting points.

※Select the length of the screw so that the screw do not protrude from the front of the panel.



※When fixing to the wall, attach double-sided tape between the wall and the panel, and drive screws into the wall from the front where the panel was not attached.

Attach double-sided tape to the back of a panel to be pasted in that area later.



Wall-mount

③ Panel Mounting System PC Series

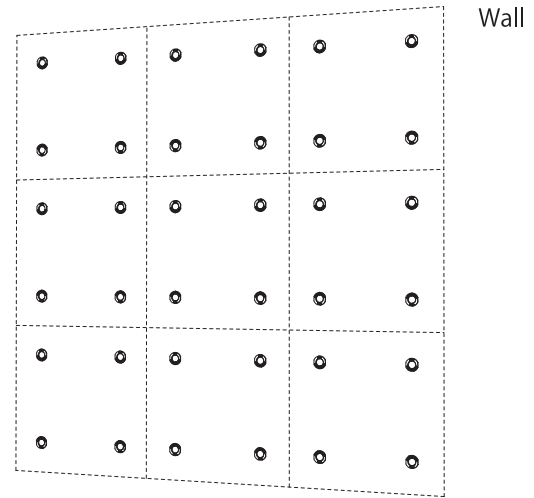
Sugatsune <https://search.sugatsune.co.jp/product/g/gPCS/>

※For detailed installation instructions, please check Sugatsune's website.

Parts installation video

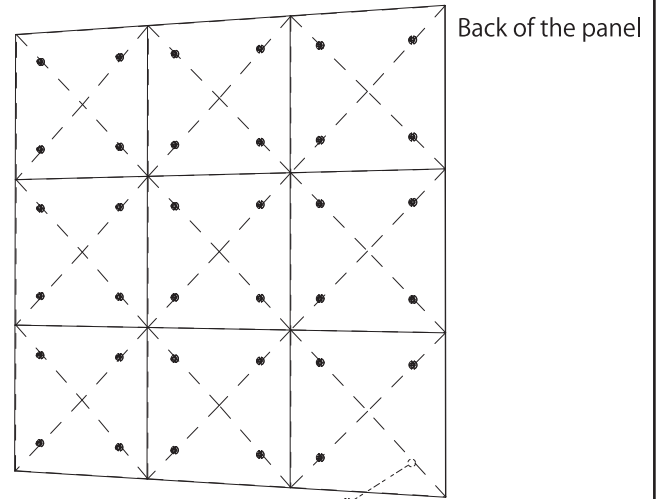
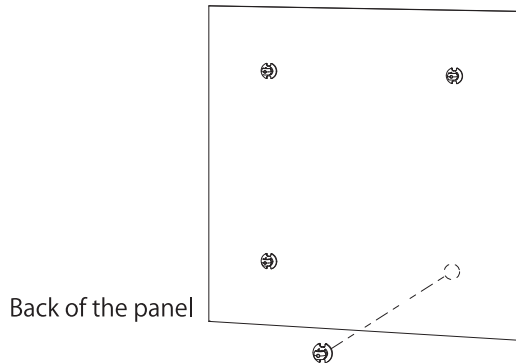


Attach the female clip to the wall mounting position on the wall.
Please adjust the mounting position according to the number and arrangement of the panels you want to install.

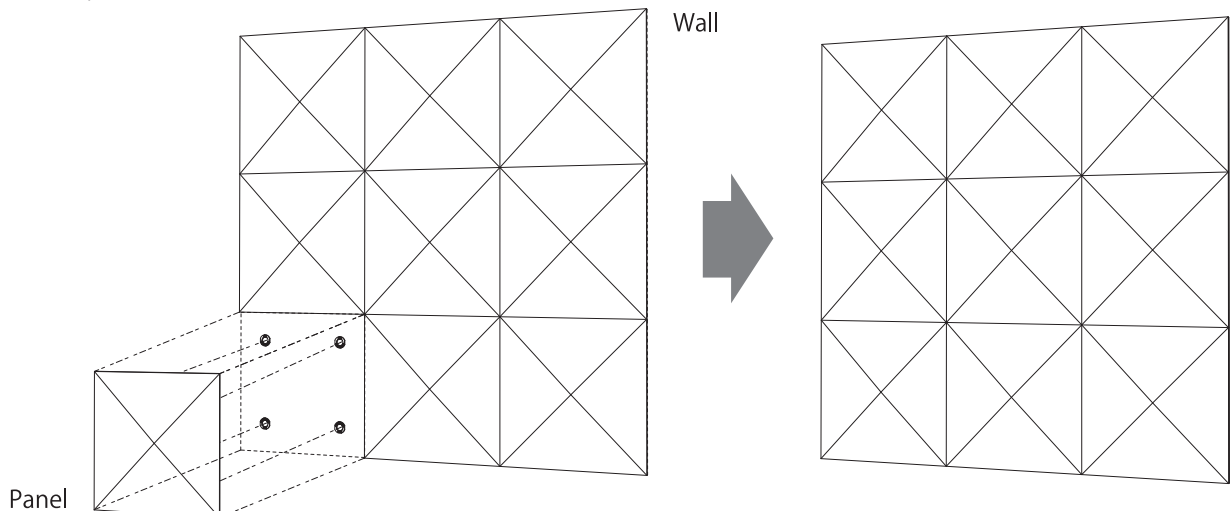


Attach the male clip to the back of the panel.

※Check the mounting position so that the clip does not protrude from the front of the panel during installation.



Attach the panel to the wall.



Wall-mount

④ Panel hanging bracket AUH type

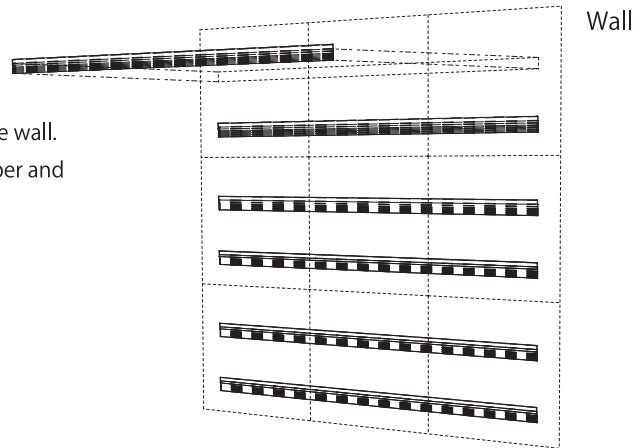
Sugatsune <https://search.sugatsune.co.jp/product/g/gAUH/?category=201004>

※For detailed installation methods of metal fittings, please check the Sugatsune website.

Product website

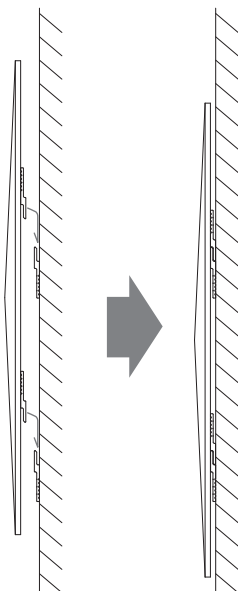
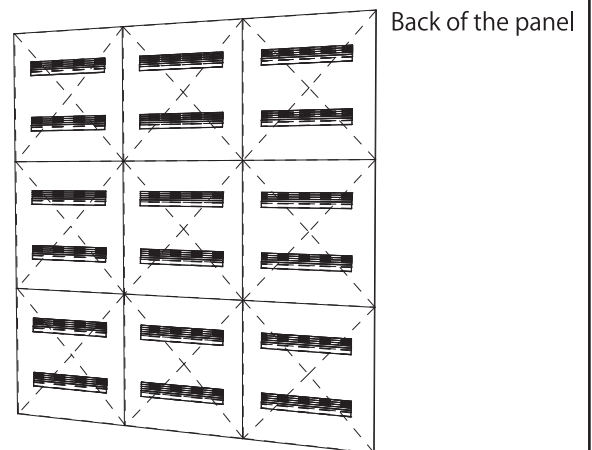
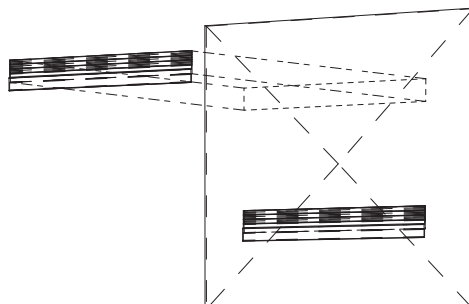


Attach the hanging bracket to the mounting position on the wall.
Please adjust the mounting position according to the number and arrangement of the panels you want to install.



Attach the hanging bracket to the back of the panel.
The hanging bracket needs to be adjusted to the appropriate length.

※Select the length of the screw so that they don't protrude from the front of the panel during installation.



Attach the panel to the wall.

If you would like to attach them vertically, be sure to install them from the bottom up.

