



**MODEL:** SPJ403  
**MATERIAL:** Solid Brass  
**FINISH:** PVD Black  
**ELECTRICAL:** 8-15V  
**ENGINE:** FB-3W-Cone-TA16  
**LUMENS:** 200  
**MOUNTING:** 1/2" NPT. Dual Fin Spike Included  
**LED:** Nichia

**FINISHES**

- Matte Bronze (MBR)
- Verde (V)
- Moss (M)
- Black (B)
- Rusty (R)
- Satin Brass (SB)
- Aged Brass (AG)
- Raw Copper (RC)
- Natural Copper (NC)

**PVD PREMIUM**

- PVD Polished (PVDP)
- PVD Satin (PVDS)
- PVD Graphite (PVDG)
- PVD Bronze (PVDBZ)
- PVD Black (PVDBL)

**WATTAGE      LUMENS**

- 3W                  200

Custom lumen packages are available upon request

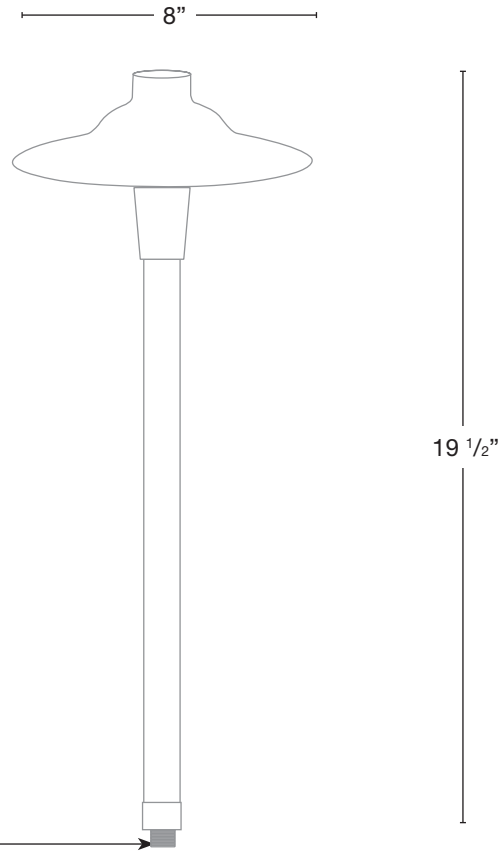
**COLOR TEMPERATURE**

- 2200K             5000K
- 2700K             6500K
- 3000K             Amber (TF)
- 4000K             RGBW

Custom options are available

**ELECTRICAL**

- 8-15V



**Wet Listed**



Ordering Example

Customer Approval

Date

SPJ403-PVDB-3W-27K-8-15V