

MODEL: **SPJ-MINI-GDG-30WM**
 MATERIAL: **Solid Brass**
 FINISH SHOWN: **Raw Copper**
 ELECTRICAL: **8-15V**
 WATTAGE: **2W**
 ENGINE: **SPJ-FB-1WP**
 LUMENS: **150**
 OPTIC: **Wide Angle Flood**
 MOUNTING: **Recessed**

FINISHES

- Matte Bronze (MBR)
- Verde (V)
- Moss (M)
- Black (B)
- Rusty (R)
- Satin Brass (SB)
- Aged Brass (AG)
- Raw Copper (RC)
- Natural Copper (NC)

PVD PREMIUM

- PVD Polished (PVDP)
- PVD Satin (PVDS)
- PVD Graphite (PVDG)
- PVD Bronze (PVD BZ)
- PVD Black (PVD BL)

WATTAGE	LUMENS
<input type="checkbox"/> 2W	150

Custom lumen packages are available upon request

COLOR TEMPERATURE

- 2200K
- 2700K
- 3000K
- 4000K
- 5000K
- 6500K
- RGBW

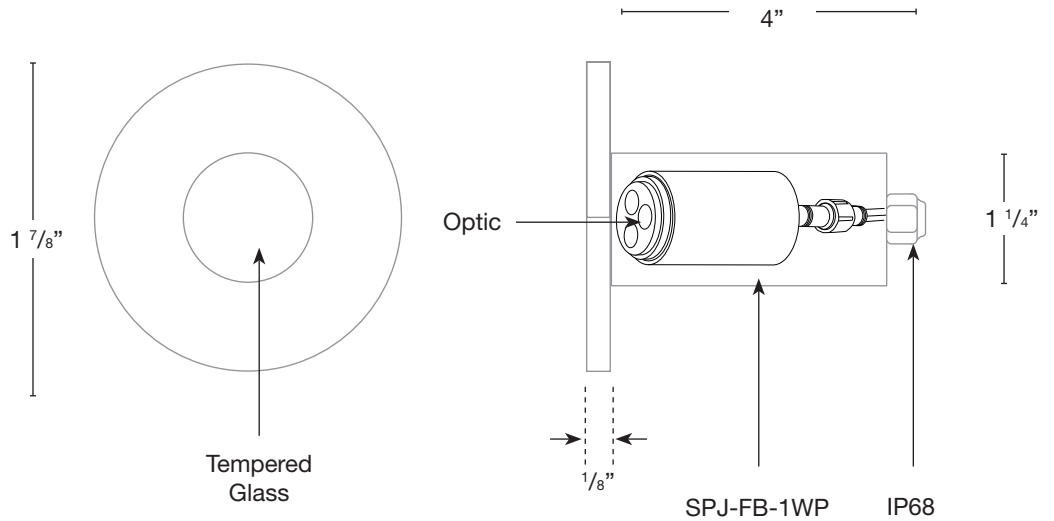
Custom options are available

ELECTRICAL

- 8-15V

OPTICS

- SPOT 19d
- FLOOD 38d
- WIDE FLOOD 54d
- WIDE ANGLE FLOOD 120d



Model: SPJ-FB-1WP

Concrete Pour Sleeve



Model: FB-CPS-1M

Model: FB-CPSI-CM

Model: FB-CPS-2M



Wet Listed



Ordering Example

Customer Approval

Date

SPJ-GDG-30W-RC-2W-27K-8-15V