

MODEL: **SPJ-GDG-30W-SQ-L**
 MATERIAL: **Solid Brass**
 FINISH SHOWN: **Matte Bronze**
 ELECTRICAL: **8-15V, 120V**
 WATTAGE: **2W**
 ENGINE: **FB-2W-CYL-TA16**
 LUMENS: **150**
 OPTIC: **Wide Angle Flood**
 MOUNTING: **Recessed**

FINISHES

- Matte Bronze (MBR)
- Verde (V)
- Moss (M)
- Black (B)
- Rusty (R)
- Satin Brass (SB)
- Aged Brass (AG)
- Raw Copper (RC)
- Natural Copper (NC)

PVD PREMIUM

- PVD Polished (PVDP)
- PVD Satin (PVDS)
- PVD Graphite (PVDG)
- PVD Bronze (PVD BZ)
- PVD Black (PVDBL)

WATTAGE LUMENS

- | | |
|-----------------------------|-----|
| <input type="checkbox"/> 1W | 80 |
| <input type="checkbox"/> 2W | 150 |
| <input type="checkbox"/> 3W | 200 |
| <input type="checkbox"/> 6W | 300 |

Custom lumen packages are available upon request

COLOR TEMPERATURE

- | | |
|--------------------------------|--------------------------------|
| <input type="checkbox"/> 2200K | <input type="checkbox"/> 5000K |
| <input type="checkbox"/> 2700K | <input type="checkbox"/> 6500K |
| <input type="checkbox"/> 3000K | <input type="checkbox"/> RGBW |
| <input type="checkbox"/> 4000K | |

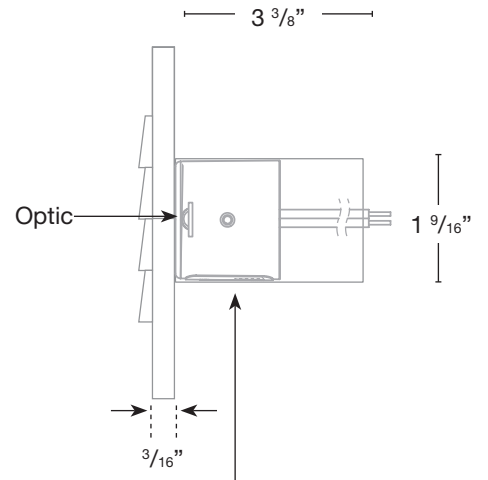
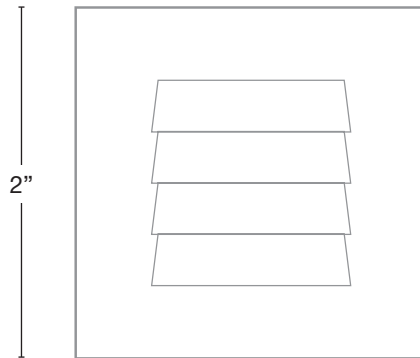
Custom options are available

ELECTRICAL

- 8-15V 120V

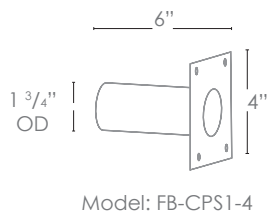
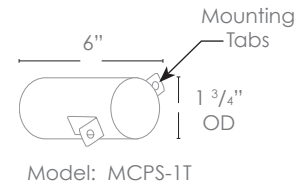
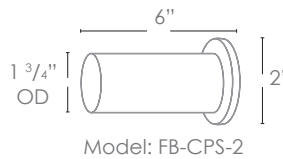
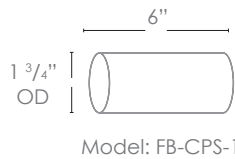
OPTICS

- | | |
|---|------|
| <input type="checkbox"/> SPOT | 19d |
| <input type="checkbox"/> FLOOD | 38d |
| <input type="checkbox"/> WIDE FLOOD | 54d |
| <input type="checkbox"/> WIDE ANGLE FLOOD | 120d |



FB-2W-CYL-TA16

Concrete Pour Sleeve



Wet Listed



Ordering Example

Customer Approval

Date

SPJ-GDG-30W-SQ-L-MBR-2W-27K-8-15V