



MODEL: **SPJ-BL**
 MATERIAL: **Solid Brass**
 FINISH SHOWN: **Black**
 ELECTRICAL: **Specify**
 WATTAGE: **Specify**
 ENGINE: **Specify**
 LUMENS: **Specify**
 MOUNTING: **SPJ19-03-SP-RB**
Perma Post
 LED: **Nichia**

FINISH SHOWNES

- Matte Bronze (MBR)
- Verde (V)
- Moss (M)
- Black (B)
- Rusty (R)
- Satin Brass (SB)
- Aged Brass (AG)
- Raw Copper (RC)
- Natural Copper (NC)
- PVD PREMIUM**
- PVD Polished (PVDP)
- PVD Satin (PVDS)
- PVD Graphite (PVDG)
- PVD Bronze (PVDBZ)
- PVD Black (PVDBL)

| WATTAGE | LUMENS |
|-------------------------------|--------|
| <input type="checkbox"/> 17W | 2000 |
| <input type="checkbox"/> 25W | 3000 |
| <input type="checkbox"/> 33W | 4000 |
| <input type="checkbox"/> RGBW | 2000 |

Custom lumen packages are available upon request

COLOR TEMPERATURE

- 2200K
- 2700K
- 3000K
- 4000K
- 5000K
- 6500K
- RGBW
- WARM DIMMING

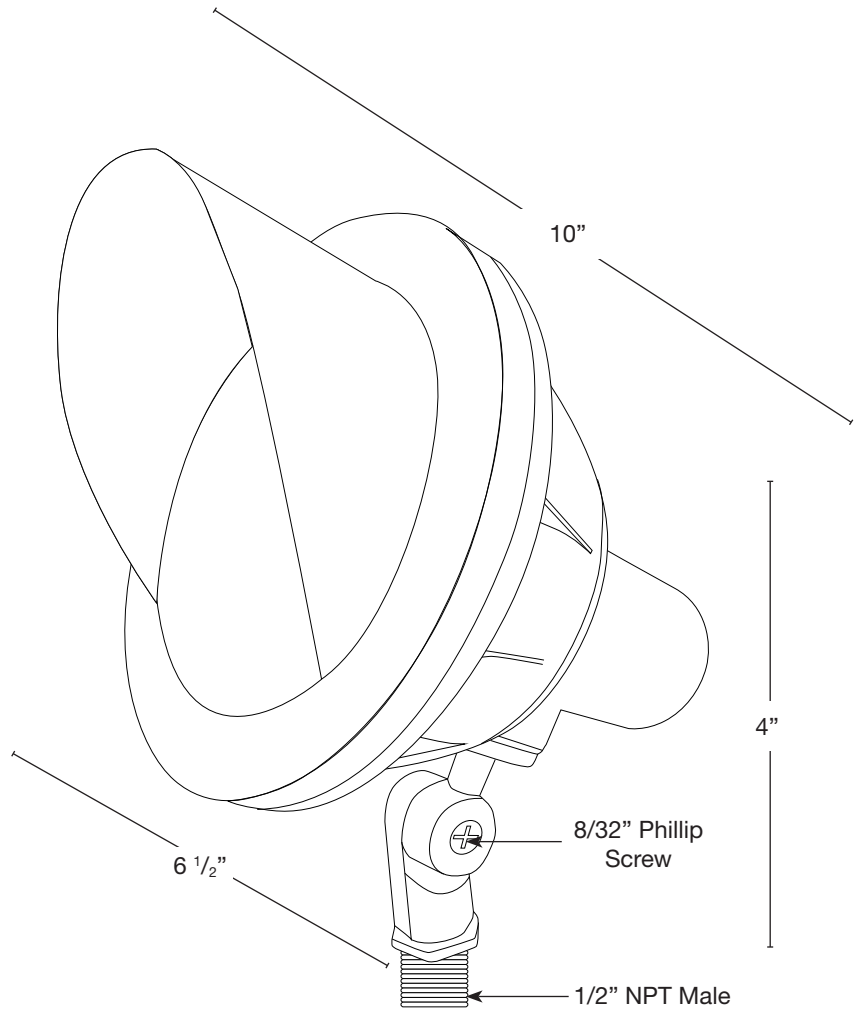
Custom options are available

ELECTRICAL

- 12-15V
- 120V

OPTICS/viP1

- SPOT 15d
- FLOOD 30d
- WIDE FLOOD 40d



Wet Listed



| Ordering Example | Customer Approval | Date |
|----------------------|-------------------|------|
| SPJ-BL-B-__W-27K-__V | | |