



MODEL: **SPJ-BCV1**  
 MATERIAL: **Cast Brass**  
 FINISH SHOWN: **Matte Bronze**  
 ELECTRICAL: **9-15V, 120V**  
 WATTAGE: **2W**  
 ENGINE: **FB-LS2**  
 LUMENS: **150**  
 MOUNTING: **Recessed**

**FINISHES**

- Matte Bronze (MBR)
- Verde (V)
- Moss (M)
- Black (B)
- Rusty (R)
- Satin Brass (SB)
- Aged Brass (AG)
- Raw Copper (RC)
- Natural Copper (NC)

**PVD PREMIUM**

- PVD Polished (PVDP)
- PVD Satin (PVDS)
- PVD Graphite (PVDG)
- PVD Bronze (PVDBZ)
- PVD Black (PVDBL)

WATTAGE	LUMENS
<input type="checkbox"/> 2W	150

Custom lumen packages are available upon request

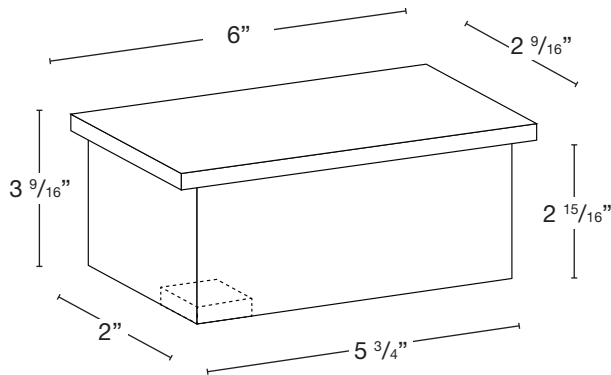
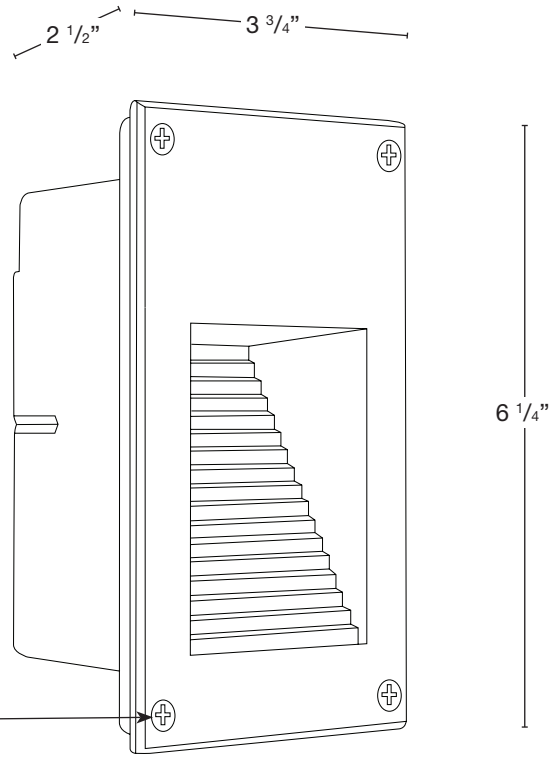
**COLOR TEMPERATURE**

- 2200K
- 2700K
- 3000K
- 4000K
- 5000K
- 6500K
- RGBW

Custom options are available

**ELECTRICAL**

- 9-15V
- 120V



Wet Listed



Ordering Example

Customer Approval

Date

SPJ-BCV1-MBR-2W-27K-9-15V