



Forever Bright

SPECIFICATION FEATURES



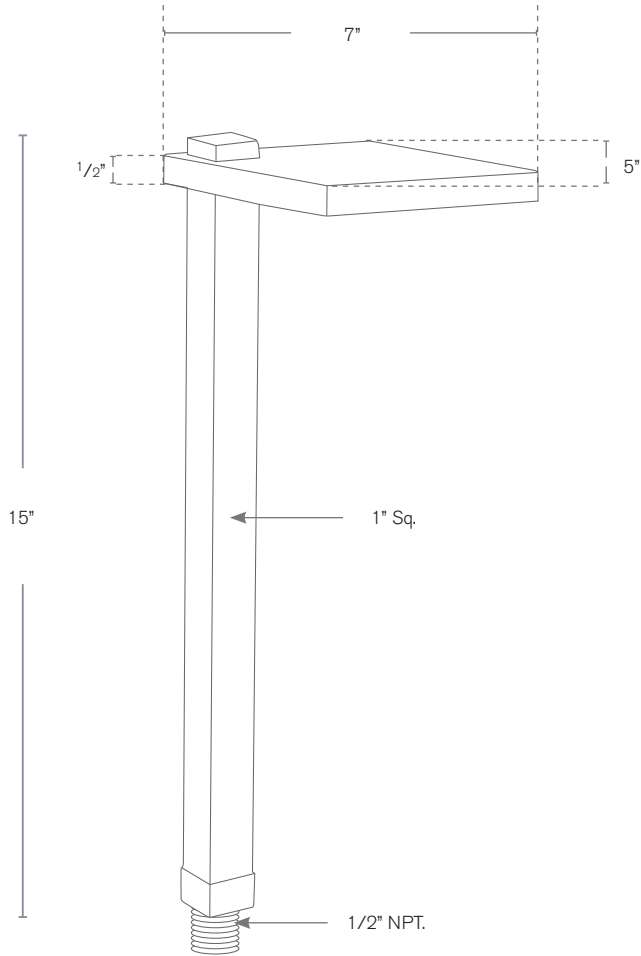
Model: **SPJ-LDPL-TF**
Finish: PVD-Polished

- Finish:** Our naturally etched finishes will withstand the test of time. All finishes are individually treated insuring consistency. Our meticulous application results in a fixture that truly becomes "a one of a kind".
- Electrical:** Available in 9-15V
- Labels:** ETL Standard Wet Label
C-ETL

Contemporary Classics Path / Area Light

DESCRIPTION

- Model#:** SPJ-LDPL-TF (DIAMOND)
- Material:** Solid Brass
- Electrical:** 9-15V
- Engine:** FB-2WREC-TA125-2700K
- Lumen Range:** 125
- Color Temp:** Amber
- Mounting:** 1/2" NPT. Dual Fin Spike Incl.
- LED:** Nichia



Turtle Friendly



Wet Listed



ORDERING INFORMATION

Model#	Finishes	Wattage	Optics	Lumen Range	Color Temp.	Electrical
SPJ-LDPL-TF	PVD POLISHED	2W	NA	125	Amber	9-15V

- V = Verde
- M = Moss
- AG = Aged Brass
- MBR = Matte Bronze
- RC = Raw Copper
- GM = Gun Metal
- B = Black
- R = Rusty
- PVDP = PVD Polished
- PVDS = PVD Satin
- 2W
- Spot
- Flood
- Wide Flood
- Wide Angle Flood
- 125
- 9-15V