



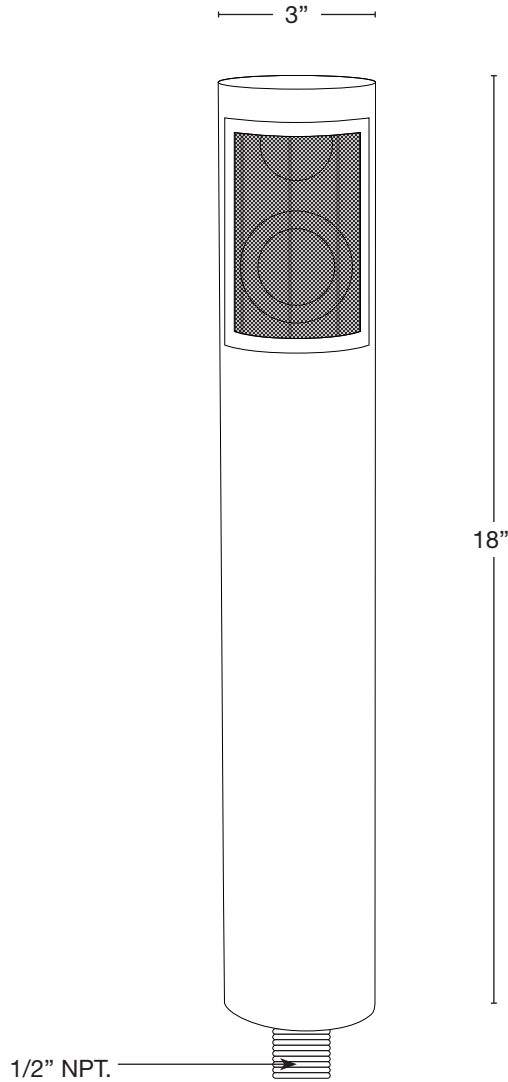
MODEL: **LVR-183**  
 MATERIAL: **Solid Brass**  
 FINISH SHOWN: **Matte Bronze**  
 AMPLIFIER: **40 watts**  
 IMPEDENCE: **4 ohms or 8 ohms**  
 MOUNTING: **1/2" NPT. LV-PM17**  
**Recommended**

**FINISHES**

- Matte Bronze (MBR)
- Verde (V)
- Moss (M)
- Black (B)
- Rusty (R)
- Satin Brass (SB)
- Aged Brass (AG)
- Raw Copper (RC)
- Natural Copper (NC)

**PVD PREMIUM**

- PVD Polished (PVDP)
- PVD Satin (PVDS)
- PVD Graphite (PVDG)
- PVD Bronze (PVDBZ)
- PVD Black (PVDBL)



Wet Listed



Ordering Example

Customer Approval

Date

LVR-183-MBR