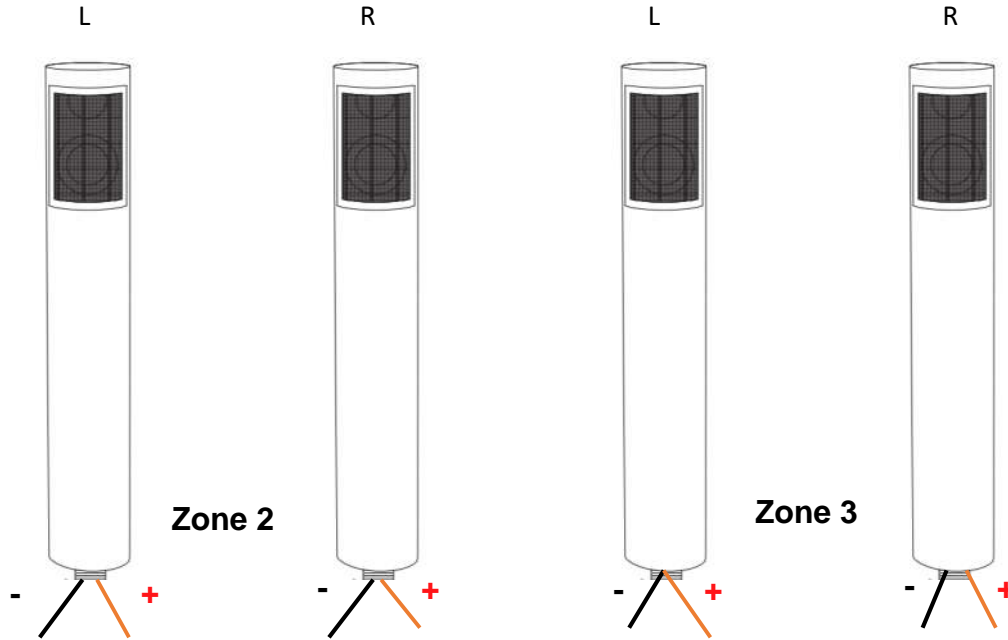


LANDSCAPE VIBRATIONS

Wiring Diagram for Big Boy and Mac Daddy

Red = Positive Black – Negative

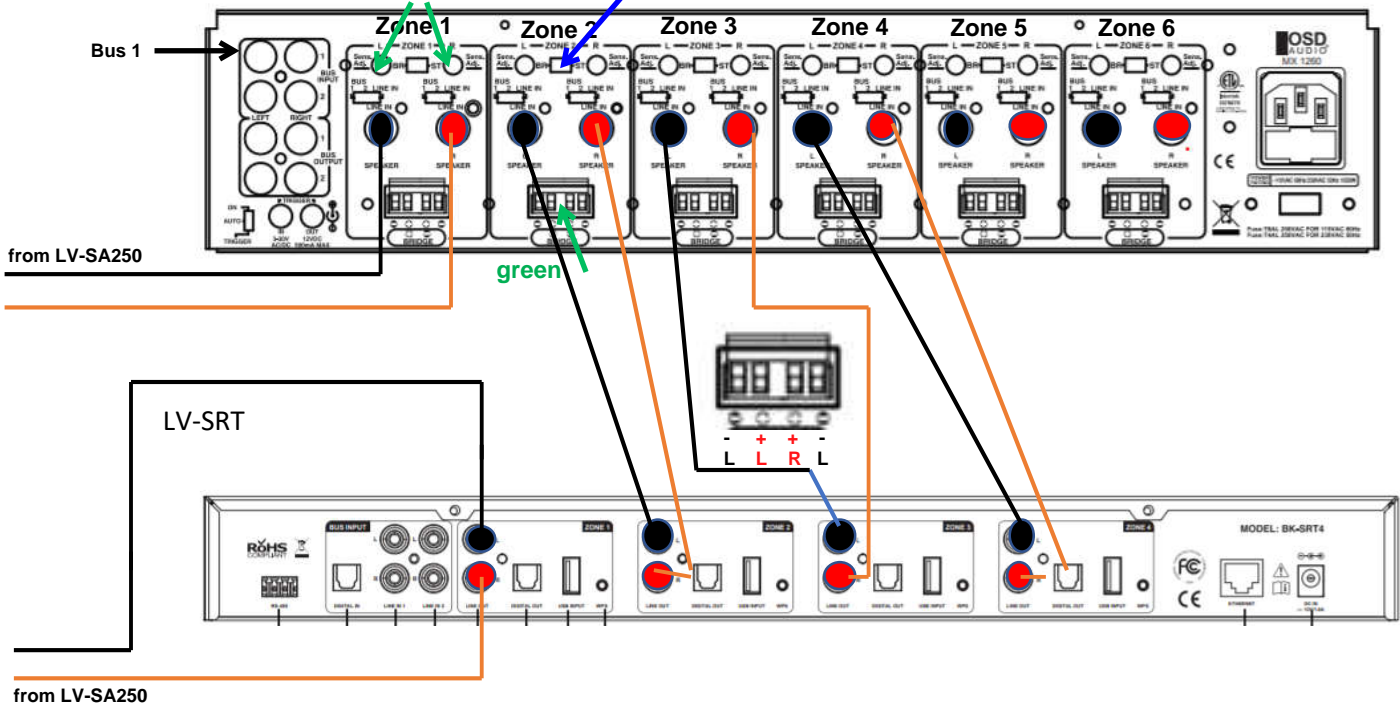


Pair 1 -
 Connect Left speaker black wire - to - left on green connector at zone 2
 Connect Left speaker red wire + to + left on green connector zone 2
 Connect Right speaker black wire - to - right on green connector at zone 2
 Connect Right speaker red wire + to + right on green connector zone 2
 Repeat above for Pair 2

LV-500A

turn volume to 50% on every zone that is being wired up

move all switches to the right to stereo



Wiring of subwoofer to subwoofer amplifier and subwoofer amplifier to tuner source

LV-500A

