

PRODUCT: SPJ-PCL-UL-A

WEIGHT: 20 lbs.

QUANTITY: ___

| | | |
|--------------------------------|--------------------------------|--|
| CONCRETE COLOR: | CONCRETE TEXTURE: | LIGHT ENGINE: |
| <input type="radio"/> COAST | <input type="radio"/> ETCHED | <input type="radio"/> 2W 125 LUMENS |
| <input type="radio"/> CONCRETE | <input type="radio"/> POLISHED | <input type="radio"/> 8W 300 LUMENS |
| <input type="radio"/> CARBON | | <input type="radio"/> 8W 580 LUMENS |
| <input type="radio"/> CLAY | | <input type="radio"/> 16W 1,000 LUMENS |
| <input type="radio"/> BARK | | |

SEALER: STD. SEALER 4200



GENERAL PRODUCT NOTES:

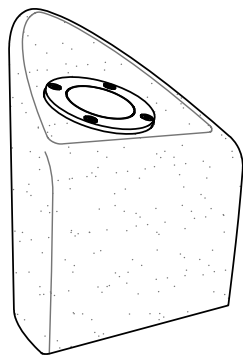
E = EXPOSED FINISHED SURFACE

INSTALLATION IS REQUIRED BY OTHERS.

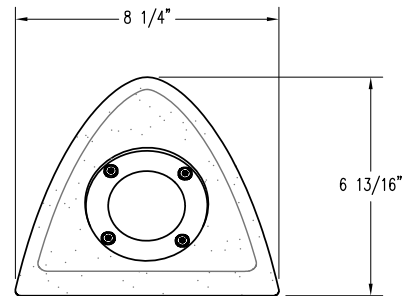
ALL EDGES TO BE EASED.

MANUFACTURING TOLERANCE ±1/4".

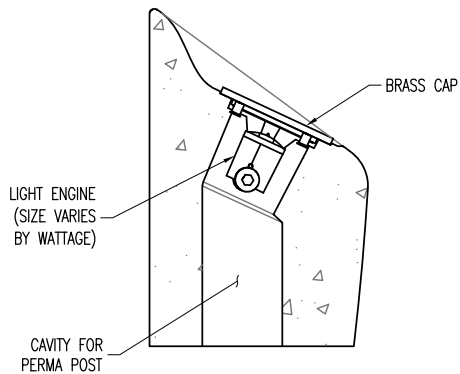
2700K STANDARD ELECTRICAL TEMPERATURE: 8-15V



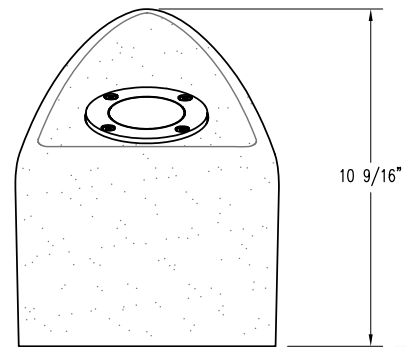
PERSPECTIVE VIEW



PLAN VIEW



SECTION VIEW



ELEVATION VIEW

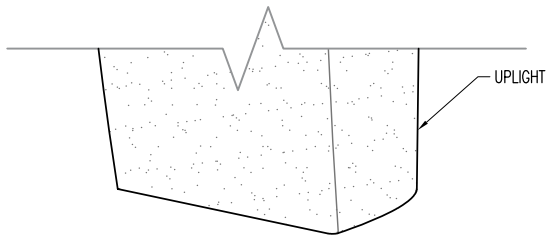


Wet Listed

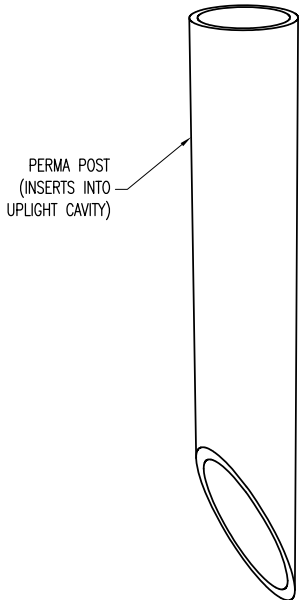


SPJ LIGHTING Inc.
ARCHITECTURAL LANDSCAPE & OUTDOOR LIGHTING

| | | | | | | | |
|--------------|------------------------|---------|---------|-------------|-------------|-------|---|
| PLAN TYPE | CONSTRUCTION PLAN | DATE | 11/3/20 | FILE NO. | 009_ST-UL-A | SHEET | 1 |
| PRODUCT | SPJ-PCL-UL-A UPLIGHT | SCALE | 2" = 1' | DRAWN BY: | W.R. | OF | 2 |
| PROJECT NAME | | PC. NO. | | QC ITEM NO. | | | |

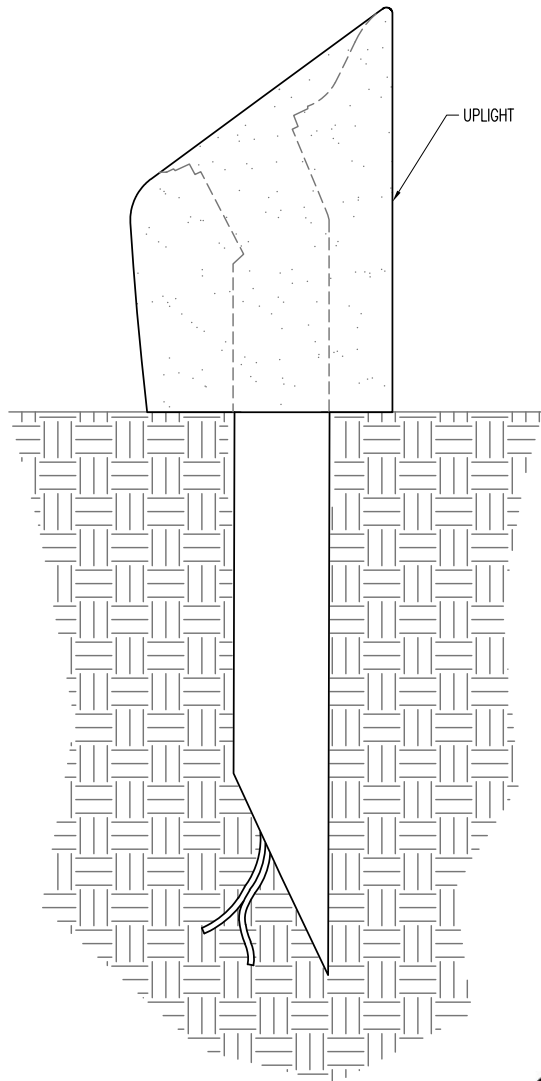


UPLIGHT



PERMA POST
(INSERTS INTO
UPLIGHT CAVITY)

PERSPECTIVE VIEW
N.T.S.



UPLIGHT

INSTALLATION SIDE VIEW
N.T.S.



Wet Listed



| | | | | | | | | |
|---|--------------|------------------------------------|---------|---------|-------------|-----------------|-------|---|
| <p>ARCHITECTURAL LANDSCAPE & OUTDOOR LIGHTING</p> | PLAN TYPE | INSTALLATION PLAN | DATE | 11/3/20 | FILE NO. | 009a_ST-UL-A-IG | SHEET | 2 |
| | PRODUCT | SPJ-PCL-UL-A UPLIGHT IN GROUND | SCALE | 3" = 1' | DRAWN BY: | W.R. | OF | |
| | PROJECT NAME | | PC. NO. | | QC ITEM NO. | | 2 | |