



MODEL: **THE FALCON PLC**
 MATERIAL: **Solid Brass**
 FINISH SHOWN: **Black**
 ELECTRICAL: **12-15v**
 WATTAGE: **11W**
 ENGINE: **FB-11W-PLC**
 LUMENS: **1200 - (27K)**
 MOUNTING: **1/2" NPT**
 LED: **Nichia**

FINISHES

- Matte Bronze (MBR)
- Verde (V)
- Moss (M)
- Black (B)
- Rusty (R)
- Satin Brass (SB)
- Aged Brass (AG)
- Raw Copper (RC)
- Natural Copper (NC)

PVD PREMIUM

- PVD Polished (PVDP)
- PVD Satin (PVDS)
- PVD Graphite (PVDG)
- PVD Bronze (PVDBZ)
- PVD Black (PVDBL)

MILLIAMPS	VOLTAGE	LUMEN	OUTPUTS
WW/CW:	1100 mA	9.54 DCW	10.84 ACW
RGB:	700 mA	6.72 DCW	7.64 ACW
RED:	8.8 VF	606 LUM	
GREEN:	9.6 VF	737 LUM	
BLUE:	9 VF	237 LUM	
18K:	8.67 VF	1047 LUM	
65K:	8.67 VF	1446 LUM	
300W	28 load		

COLOR TEMPERATURE

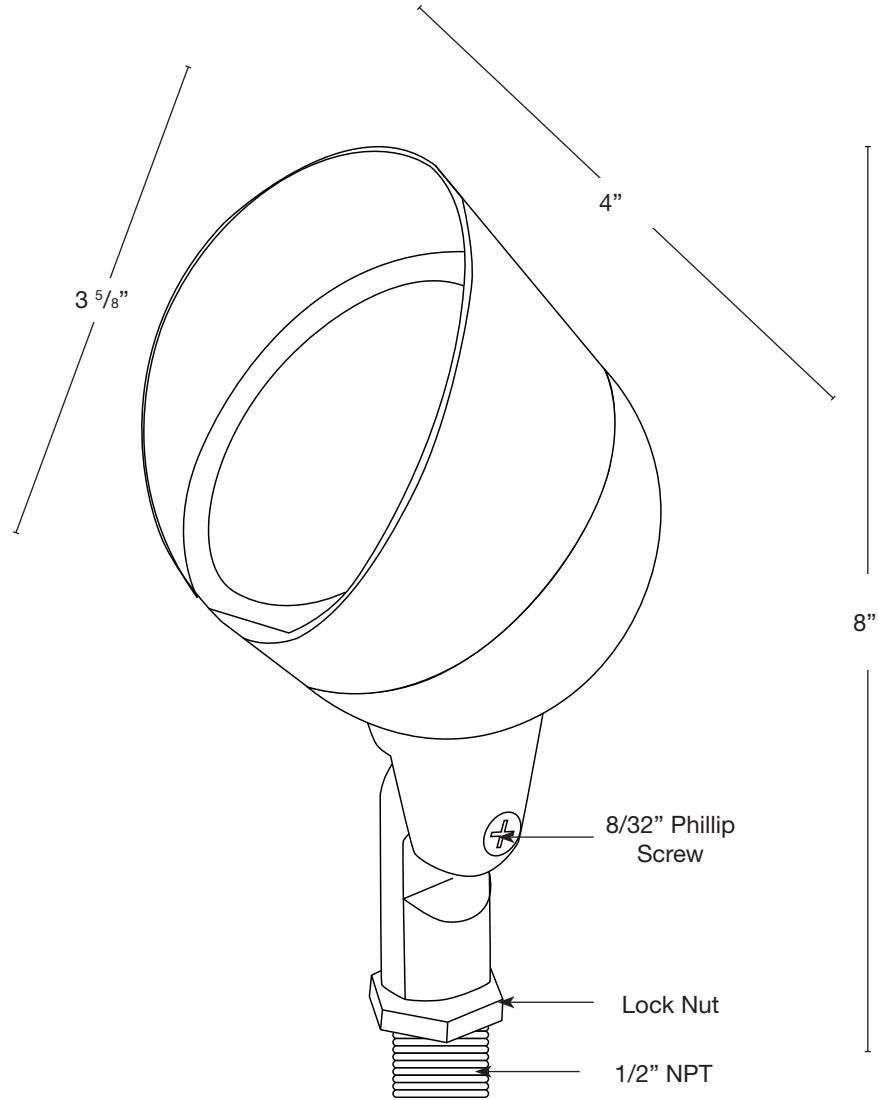
Custom options are available

ELECTRICAL

- 12-15V

OPTICS/viP1

- SPOT (STANDARD) 15d
- FLOOD 30d
- WIDE FLOOD 40d



Wet Listed



Ordering Example

Customer Approval

Date

FALCON-PLC-B-11W-RGBW-12-15V