



Model: **SPJ-MA-20-TF**

Forever Bright

SPECIFICATION FEATURES

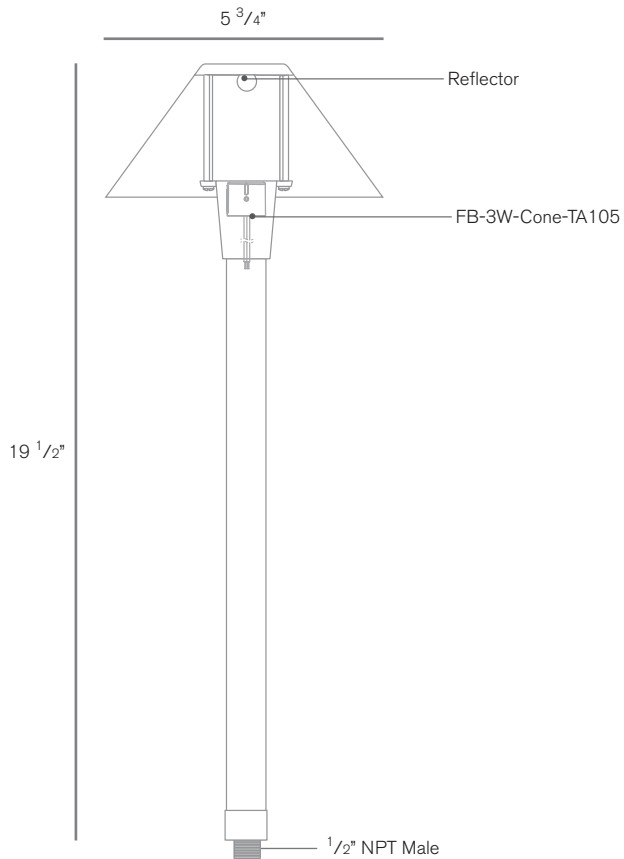
- Finish:** Our naturally etched finishes will withstand the test of time. All finishes are individually treated insuring consistency. Our meticulous application results in a fixture that truly becomes "a one of a kind".
- Electrical:** Available in 8-24v
- Labels:** ETL Standard Wet Label
C-ETL

Area / Path Light

DESCRIPTION

- Model#:** SPJ-MA-20-TF
- Material:** Solid Brass or Copper
- Finish:** Specify
- Electrical:** 8-24V
- Lamp:** FB-3W-Cone-TA105
- Color Temp:** Amber
- Optic:** Spot, Flood, Wide Flood, Wide Angle Flood
- Mounting:** 1/2" NPT.

Turtle Friendly



ORDERING INFORMATION

Model#	Finishes	Optic	Color Temp.	Electrical
SPJ-MA-20-TF	MBR	TBD	Amber	8-24V
SPJ-MA-20-TF	V = Verde M = Moss AG = Aged Brass MBR = Matte Bronze SB = Satin Brass GM = Gun Metal B = Black R = Rusty PVDP = PVD Polished PVDS = PVD Satin NC = Natural Copper RC = Raw Copper	Spot Flood Wide Flood Wide Angle Flood	2700K 4000K 6500K Amber	8-24V