

# Forever Bright

## SPECIFICATION FEATURES



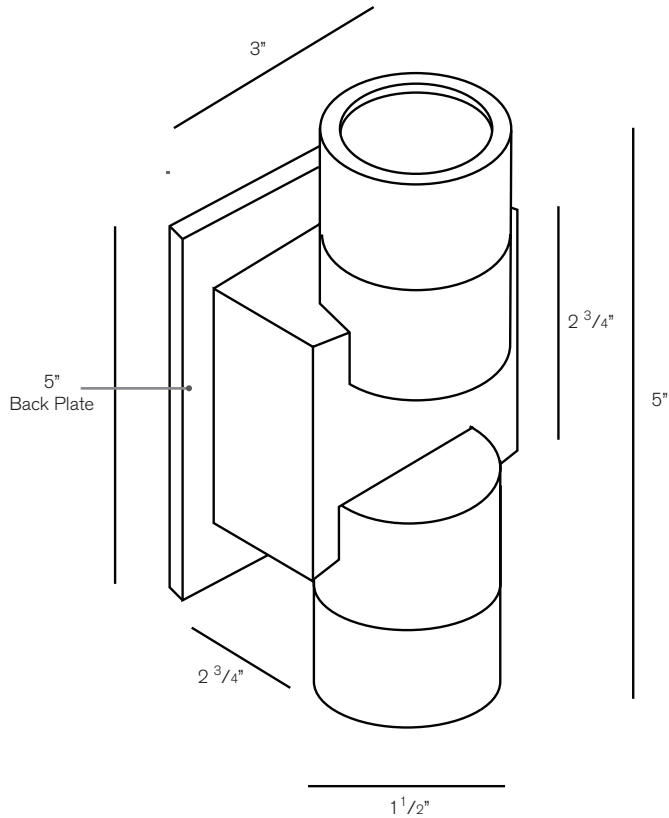
Model: **SPJ-GN102-3**

### Surface Mount

<b>Construction:</b>	Solid Brass
<b>Finish:</b>	Matte Bronze
<b>Back Plate:</b>	2.75W" x 4.5"
<b>Electrical:</b>	9v-18v, 120v
<b>Lamp:</b>	(2) FB-3W-CYL-TA105
<b>Color Temp:</b>	2700K
<b>Label:v</b>	ETL Label

### DESCRIPTION

<b>Model#:</b>	SPJ-GN102-3
<b>Material:</b>	Solid Brass
<b>Finish:</b>	Specify
<b>Electrical:</b>	9-18V, 120V
<b>Lamp:</b>	(2) FB-3W-CYL-TA105
<b>Color Temp:</b>	2700 k
<b>Optic:</b>	45°



### ORDERING INFORMATION

Model#	Finishes	Optic	Color Temp.	Electrical
<b>SPJ-GN102-3</b>	<b>MBR</b>	<b>45°</b>	<b>2700K</b>	<b>9-18V</b>
SPJ-GN102-3	V = Verde M = Moss AG = Aged Brass MBR = Matte Bronze SB = Satin Brass GM = Gun Metal B = Black R = Rusty PVDP = PVD Polished PVDS = PVD Satin C = Copper RC = Raw Copper	45°	2700K 4000K 6500K	9-18V 120V