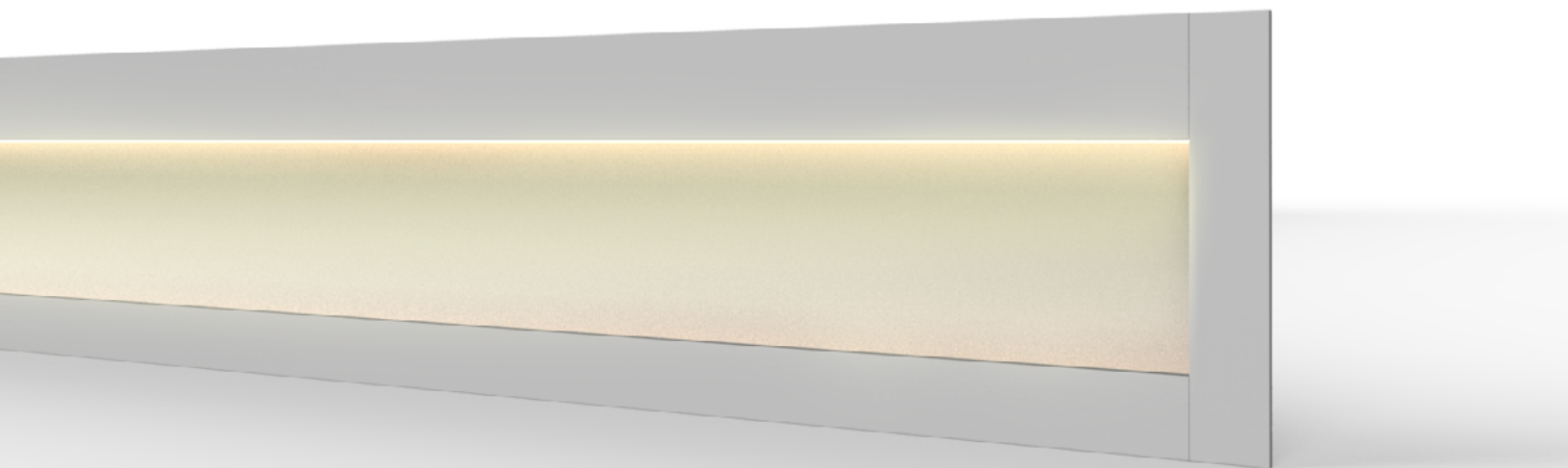




drywall thickness recessed lighting solution

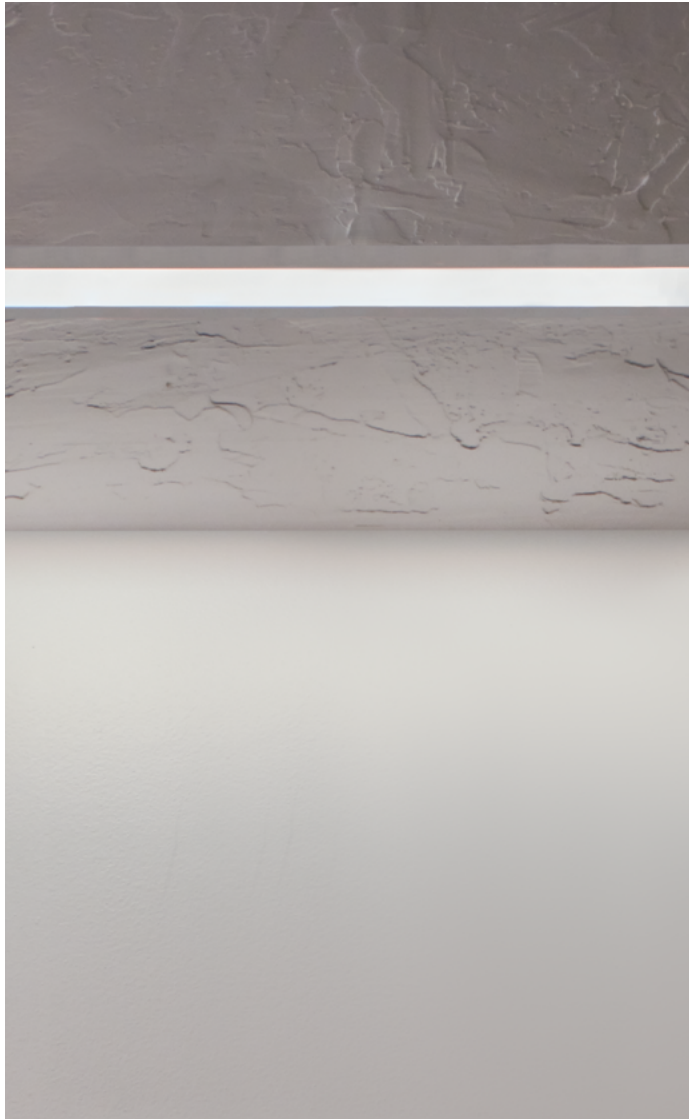




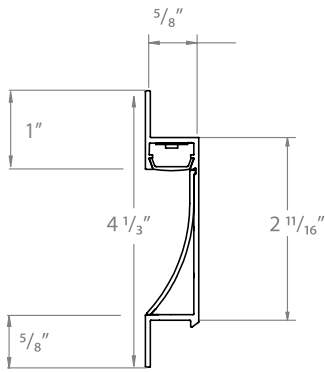
Recessed Wall | Floor Light



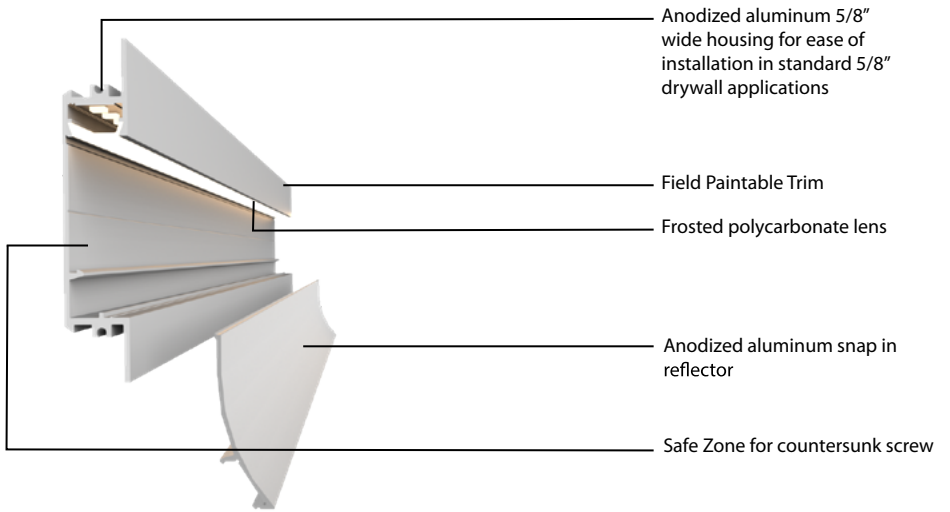
Recessed Wall | Ceiling Wash



Recessed Ceiling | Wall Wash



Silver Trim / Silver Reflector
 Field paintable



Standard Lengths



SPJ-W12 12"
 SBD - 3W, 111LM
 XSD - 3.3W, 125LM



SPJ-W18 18"
 SBD - 4W, 111LM
 XSD - 4.9W, 125LM



SPJ-W24 24"
 SBD - 6W, 222LM
 XSD - 6.6W, 244LM



SPJ-W36 36"
 SBD - 9W, 222LM
 XSD - 9.9W, 244LM



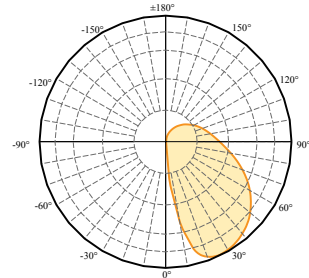
SPJ-W48 48"
 SBD - 12W, 444LM
 XSD - 13.2W, 489LM



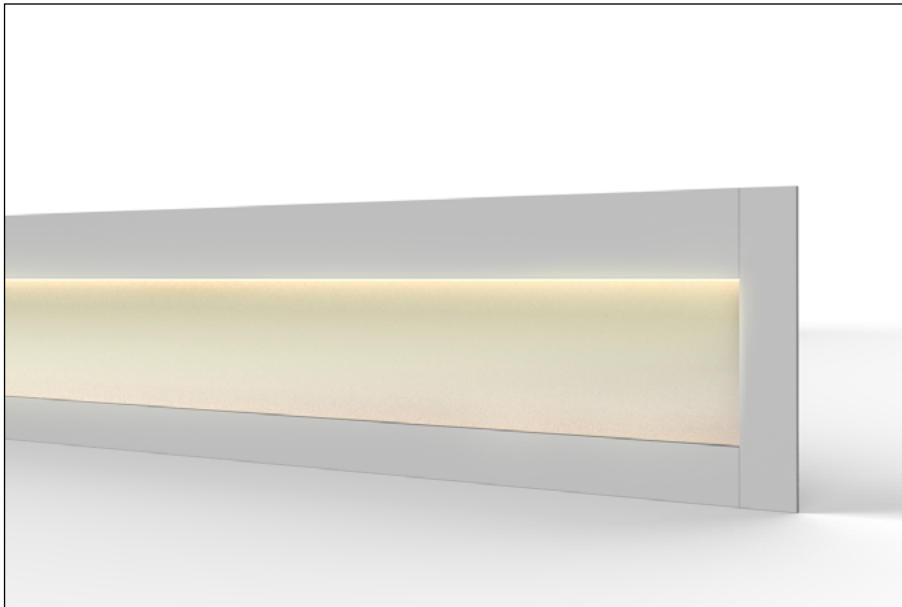
SPJ-W72 72"
 SBD - 19W, 444LM
 XSD - 19.8W, 489LM



SPJ-W96 96"
 SBD - 24W, 888LM
 XSD - 26.4W, 1000LM



(Calculated based on XSD 3000K 12" with frosted lens photometric report)



Project: _____

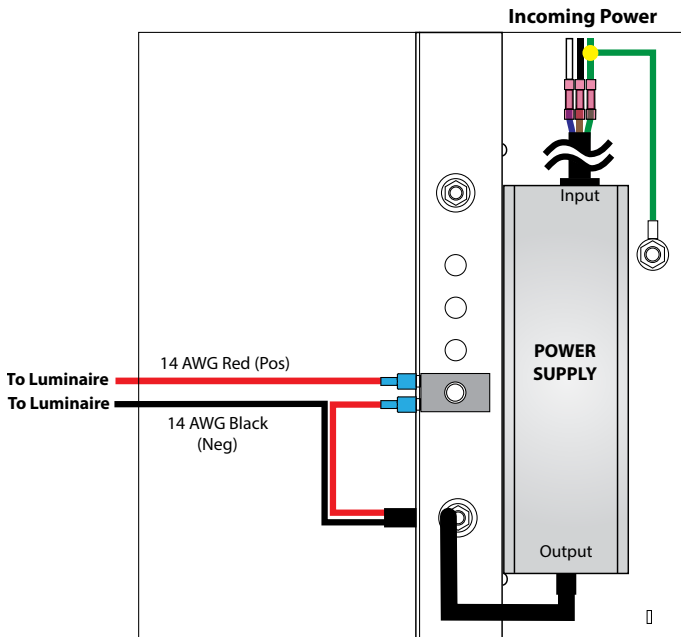
Type: _____ Qty: _____

Notes:



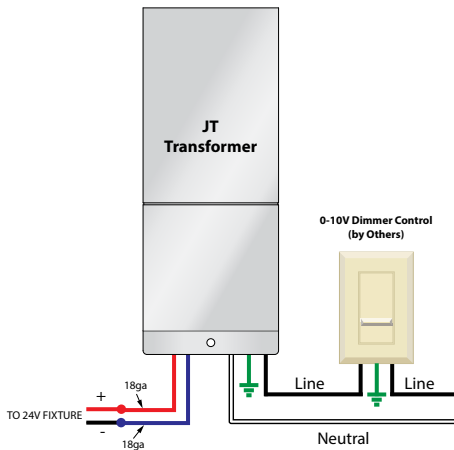
Product	Output	Location	CCT	Finish / Reflector	Lens	Power Lead	Length
SPJ-W12				SLSL			
SPJ-W12	SBD Standard Brightness 3W, 111lm/ft 90+ CRI	I Indoor O* Outdoor	27 2700K 30 3000K 35 3500K	SLSL Silver / Silver	FR Frosted	LL Lead to Lead	12 12 inch 18 18 inch 24 24 inch 36 36 inch 48 48 inch 60 60 inch 72 72 inch 89 89 inch 96 96 inch

*Outdoor is exempt from Quickship programs and ships with normal build to order lead times.



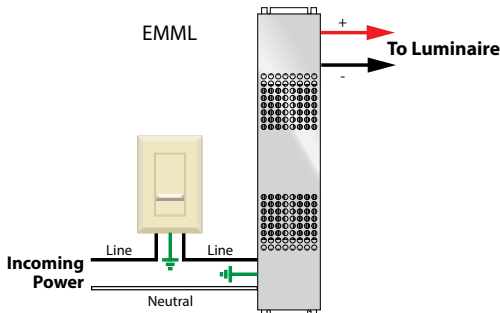
NON DIMMING

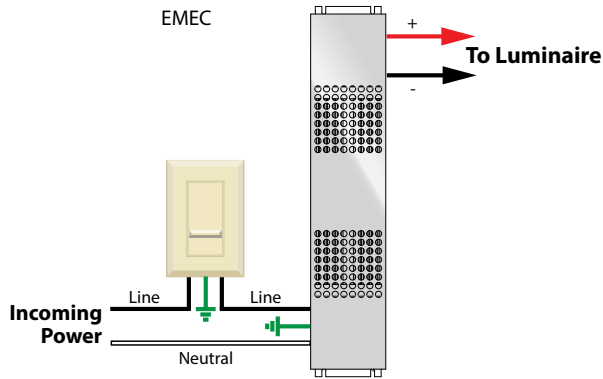
CAT NO	PRIMARY AND SECONDARY	TOTAL WATTAGE / AMPS PER BREAKER	DIMENSIONS	LISTING
ADUL-120-1-4-24-D	$\frac{120-277V AC}{24V DC}$	96W / 1X4A	12"W X 12"L X 4.25"D	UL
ADUL-240-2-4-24-D	$\frac{120-277V AC}{24V DC}$	192W / 2X4A	12"W X 12"L X 4.25"D	UL
ADUL-320-3-4-24-D	$\frac{120-277V AC}{24V DC}$	288W / 3X4A	12"W X 12"L X 4.25"D	UL



MLV DIMMING

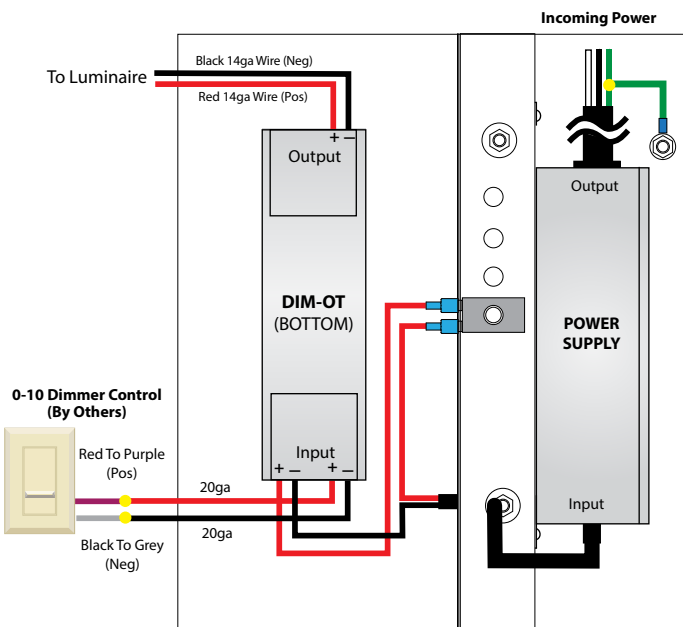
CAT NO	PRIMARY AND SECONDARY	TOTAL WATTAGE / AMPS PER BREAKER	DIMENSIONS	LISTING
JT-100-1-4-24-D	$\frac{120V AC}{24V DC}$	96W / 1X4A	4.25"W X 8.5"L X 3.25"D	UL
JTH-100-1-4-24-D	$\frac{277V AC}{24V DC}$	96W / 1X4A	4.25"W X 8.5"L X 3.25"D	UL
JT-300-3-4-24-D	$\frac{120V AC}{24V DC}$	288W / 3X4A	8.5"W X 16"L X 4.5"D	UL
JTH-300-3-4-24-D	$\frac{277V AC}{24V DC}$	288W / 3X4A	8.5"W X 16"L X 4.5"D	UL
EMEC961424	$\frac{120V AC}{24V DC}$	96W / 4A	3.03"W X 14.3"L X 2.24"D	cETLus
EMML961424	$\frac{120V AC}{24V DC}$	96W / 4A	3.93"W X 8.13"L X 1.59"D	cETLus
EMMLH961424	$\frac{277V AC}{24V DC}$	96W / 4A	3.93"W X 8.13"L X 1.59"D	cETLus





ELV DIMMING

CAT NO	PRIMARY AND SECONDARY	TOTAL WATTAGE / AMPS PER BREAKER	DIMENSIONS	LISTING
ER-80-1-3.3-24-D	90-130V AC 24V DC	80W / 3.3A	4.88"Wx14.4"Lx1.69"D	cULus
EMEC961424	120V AC 24V DC	96W / 4A	3.03"W X 14.3"L X 2.24"D	cETLus
EMML961424	120V AC 24V DC	96W / 4A	3.93"W X 8.13"L X 1.59"D	cETLus
EMMLH961424	277V AC 24V DC	96W / 4A	3.93"W X 8.13"L X 1.59"D	cETLus



0-10V DIMMING

CAT NO	PRIMARY AND SECONDARY	TOTAL WATTAGE / AMPS PER BREAKER	DIMENSIONS	LISTING
ADUL-120-1-4-24-DOT	120-277V AC 24V DC	96W / 1X4A	12"W X 12"L X 4.25"D	UL
ADUL-240-2-4-24-DOT	120-277V AC 24V DC	192W / 2X4A	12"W X 12"L X 4.25"D	UL
ADUL-320-3-4-24-DOT	120-277V AC 24V DC	288W / 3X4A	12"W X 12"L X 4.25"D	UL



Electrical & Photometric data

Input Voltage	24 VDC							
Dimming Option	MLV/ELV/0-10V/DMX							
Power System	Class 2							
Color Temperature	2700K / 3000K / 3500K							
Run Length	12"		24"		48"		96"	
TivoTape	SB	XS	SB	XS	SB	XS	SB	XS
Power Consumption (W)	3	3.3	6	6.6	12	13.2	24	26.4
Lumen Output (lm)*	111	125	222	244	444	489	888	1000
Efficacy (lm/W)*	37							
CRI*	95							
Driver	Remote Class 2 Driver							
Certification	ETL listed for Dry Location							

*Based on 2700K XS Tape photometric data

Physical

Distribution	Asymmetric
Operating Temperature	-40°F(-40°C)~140°F(60°C)
Dimension (W x H x L)	3.425"(87mm)x 0.625"(15.88mm)x 12"(304.8mm) 24"(609.6mm) 48"(1219.2mm) 96"(2438.4mm)
Housing	0.06" thick aluminum
Material	Extruded Aluminum: 6063 Aluminum, End Cap: A380 Aluminum
Mounting Option	Recessed mount for Interior 5/8" drywall. Contact factory for applications regarding modified recessed mounting conditions.
Finish	Trim Flange. 0.580" wide visible anodized aluminum flange (0.625" wide flange for end caps), field paintable
Weight	0.5 lbs/ft
Structure	Robust, high quality anodized extruded housing with flange end caps.

Performance

Lumen Maintenance	60,000 hours
Binning Tolerance	±150K
Warranty	5 years