



MODEL: **SPJ51-07**
 MATERIAL: **Solid Brass**
 FINISH SHOWN: **Matte Bronze**
 ELECTRICAL: **12V, 120V**
 ENGINE: **FB-3W-CYL-TA16**
 LUMENS: **200**
 COLOR TEMP: **2700K**
 MOUNTING: **In Ground**
 KEY SPEC: **Heavy frosted lens w/ gasket**
 LED: **Nichia**

FINISHES

- Matte Bronze (MBR)
- Verde (V)
- Moss (M)
- Black (B)
- Rusty (R)
- Satin Brass (SB)
- Aged Brass (AG)
- Raw Copper (RC)
- Natural Copper (NC)

PVD PREMIUM

- PVD Polished (PVDP)
- PVD Satin (PVDS)
- PVD Graphite (PVDG)
- PVD Bronze (PVD BZ)
- PVD Black (PVD BL)

WATTAGE LUMENS

- 3W 200
- 6W 300

COLOR TEMPERATURE

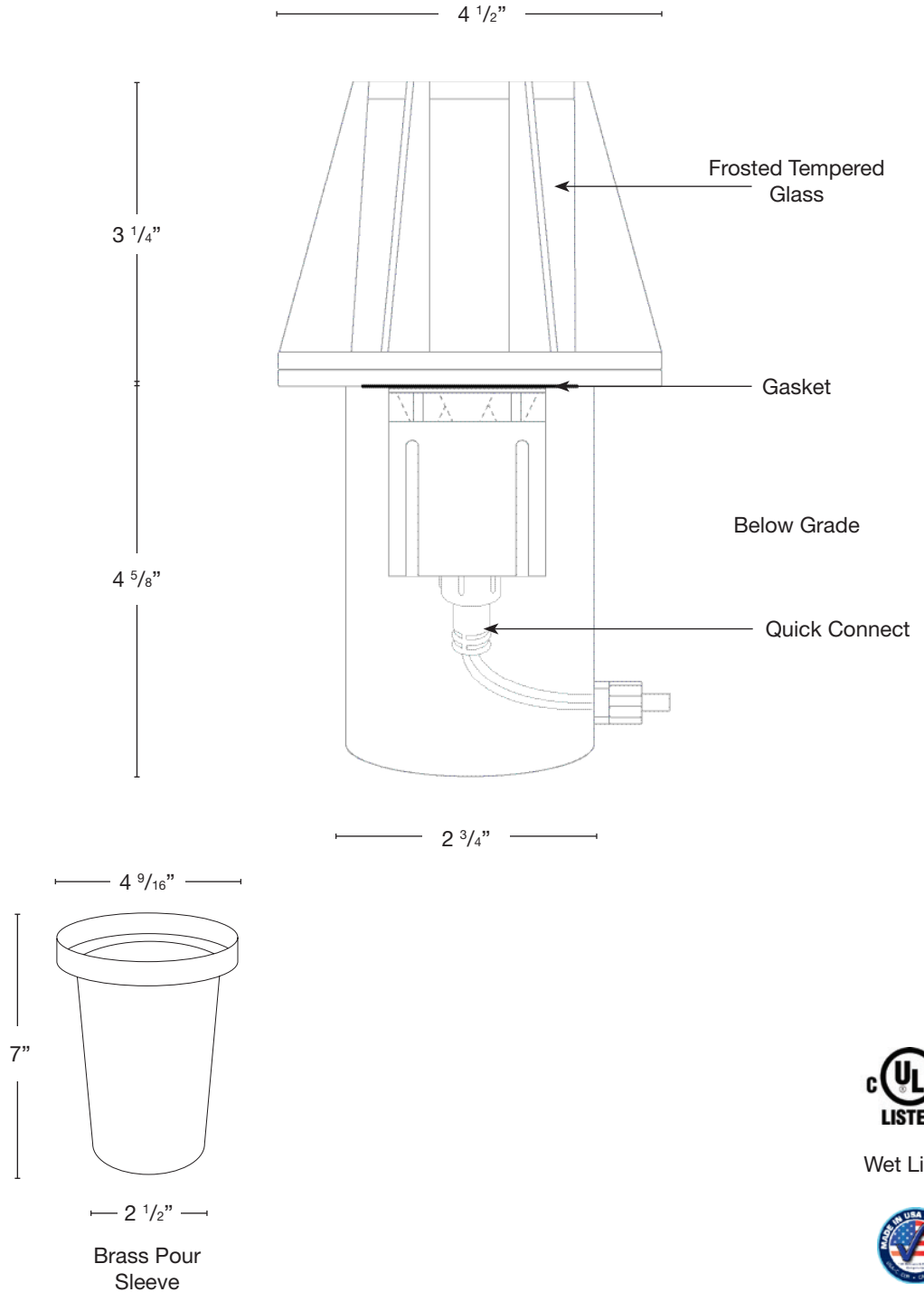
- 2200K 5000K
- 2700K 6500K
- 3000K RGBW
- 4000K

ELECTRICAL

- 12V 120V

OPTICS

- SPOT 19d
- FLOOD 38d
- WIDE FLOOD 54d
- WIDE ANGLE FLOOD 120d



Wet Listed



Ordering Example

Customer Approval

Date

SPJ51-07-MBR-3W-27K-12V