



Forever Bright

SPECIFICATION FEATURES



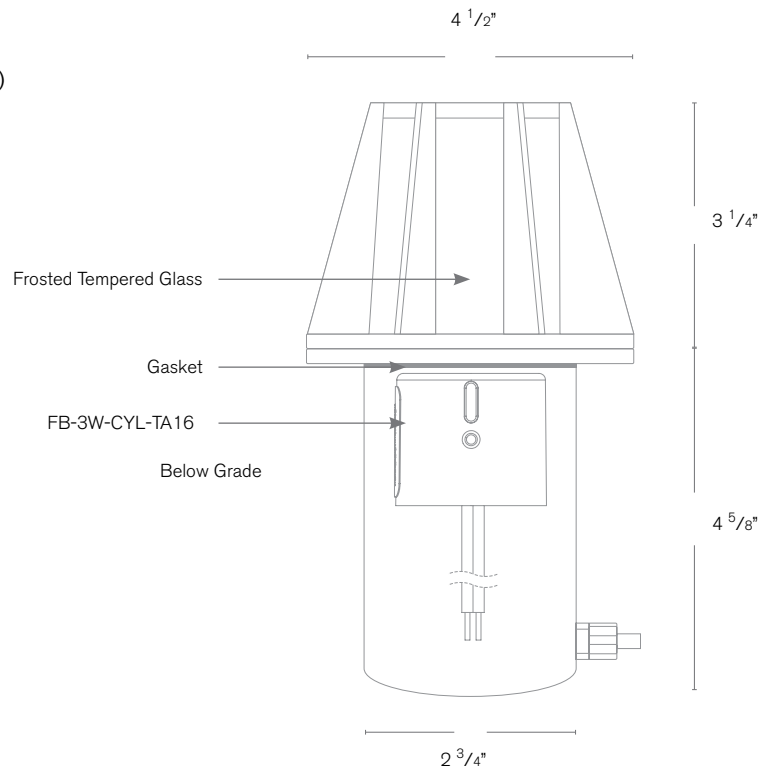
Model: **SPJ51-07**
Finish: Matte Bronze

- Finish:** Our naturally etched finishes will withstand the test of time. All finishes are individually treated insuring consistency. Our meticulous application results in a fixture that truly becomes "a one of a kind".
- Electrical:** Available in 12V or 120V
- Labels:** ETL Standard Wet Label
C-ETL

Marker Light

DESCRIPTION

- Model#:** SPJ51-07
- Engine:** FB-3W-CYL-TA16 (standard)
- Lumens:** 150
- Optic:** Wide Angle Flood
- Color Temp:** 2700K
- Electrical:** 12V, 120V
- Mounting:** In-Ground
- LED:** Nichia



Wet Listed



ORDERING INFORMATION

Model#	Finishes	Wattage	Optics	Lumens	Color Temp.	Electrical
SPJ51-07	MBR	3W	WIDE ANGLE FLOOD	150	2700K	12V
	V = Verde GM = Gun Metal M = Moss B = Black AG = Aged Brass R = Rusty MBR = Matte Bronze PVDP = PVD Polished SB = Satin Brass PVDS = PVD Satin	3W	Wide Angle Flood	150	2700K 4000K 5000K	12V 120V