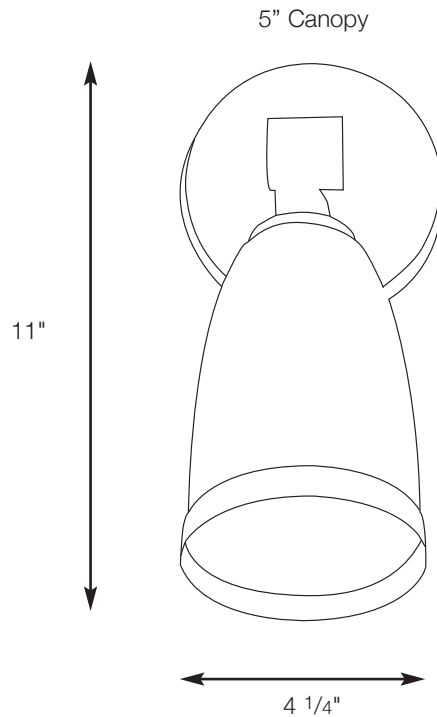


# SPJ50-03

Wall Mounted Directional  
Par 30



**MODEL:** SPJ50-03  
**MATERIAL :** Solid Brass or Copper  
**FINISH :** Specify  
**ELECTRICAL :** 120v  
**SOCKET :** Porcelain Medium Base  
**LAMP :** Par 30 - Specify (not included)  
**MOUNTING :** Surface Canopy Mounted



DRAWN BY: MMC

BASE DESIGN: SPJ

DATE: 01-10-10

**SPJ LIGHTING INC.**

2107 Chico Avenue  
 South El Monte, CA 91733  
 (800) 469-3637 FAX: (626) 433-4839