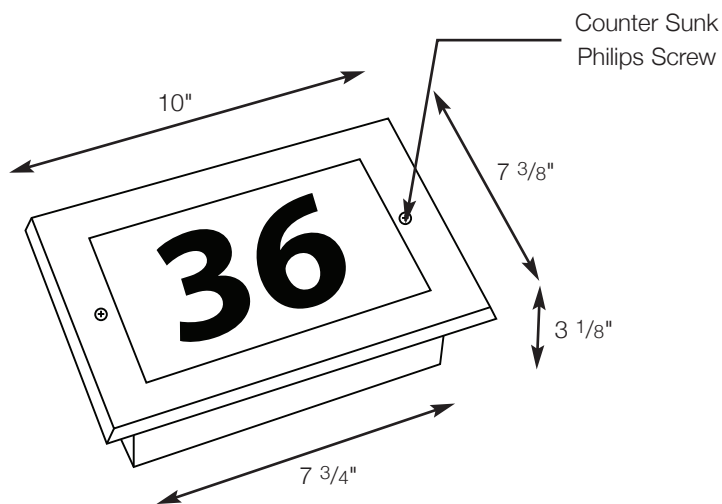
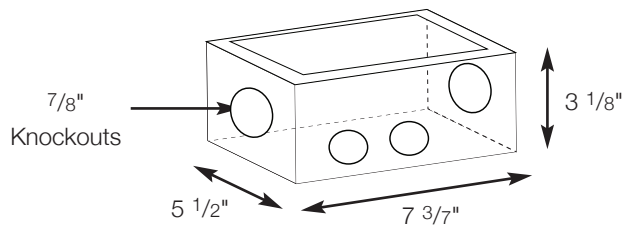


SPJ43-03

(2) # Address Light



- MODEL:** SPJ43-03 (2 numbers)
- MATERIAL :** Solid Brass
- FINISH :** Specify
- GLASS :** Specify
- ELECTRICAL :** 12v or 120v
- LED :** (1) 2700K (BB06-HG) Nichia
- WATTAGE :** 2W
- MOUNTING :** Recessed

DRAWN BY: MMC

BASE DESIGN: SPJ

DATE: 01-06-16

SPJ LIGHTING INC.

2107 Chico Avenue
 South El Monte, CA 91733
 (800) 469-3637 FAX: (626) 433-4839