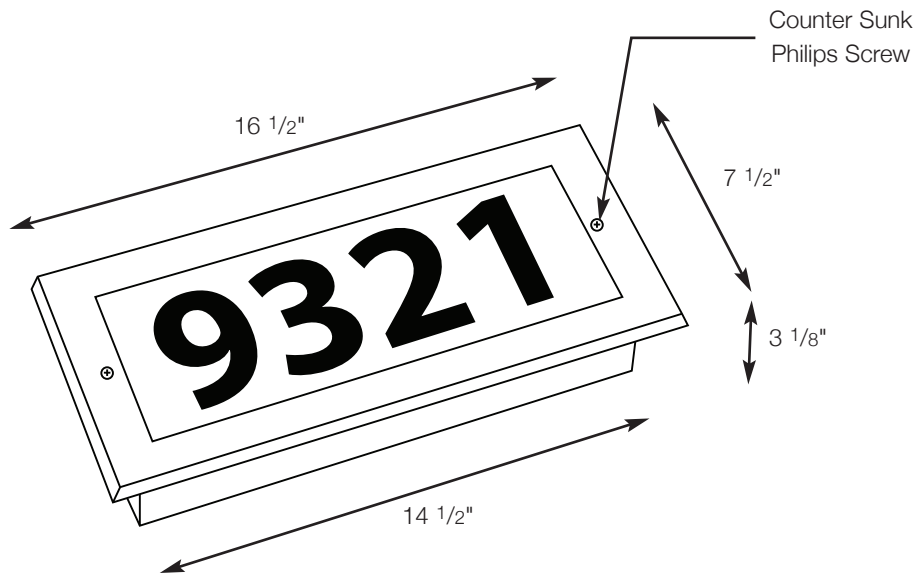
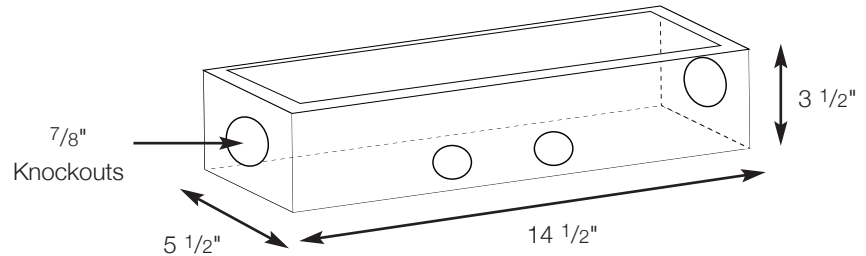




SPJ43-03B

(4) # Address Light



- MODEL:** SPJ43-03B (4 numbers)
- MATERIAL :** Solid Brass
- FINISH :** Specify
- GLASS :** Specify
- ELECTRICAL :** 12v or 120v
- LED :** (2) 2700K (BB06-HG) Nichia
- WATTAGE :** 4W
- MOUNTING :** Recessed

DRAWN BY: MMC

BASE DESIGN: SPJ

DATE: 01-10-10

SPJ LIGHTING INC.

2107 Chico Avenue
South El Monte, CA 91733
(800) 469-3637 FAX: (626) 433-4839