



MODEL: **SPJ41-04B**  
 MATERIAL: **Solid Brass**  
 FINISH SHOWN: **Verde**  
 ACRYLIC: **Honey Swirl**  
 ELECTRICAL: **12V or 120V**  
 SOCKET: **Medium Base**  
 MOUNTING: **Wall**

**LED OPTION**

Integrated FB-RD8 Board & Driver  
 (Standard)

WATTAGE	LUMENS
<input type="checkbox"/> 8W	1000

Custom lumen packages are available upon request

**COLOR TEMPERATURE**

- 2200K
- 2700K
- 3000K
- 4000K
- 5000K
- 6500K
- RGBW-PLC
- WARM DIMMING

Custom options are available

**ELECTRICAL**

- 12V
- 120V
- 120V-277V

**FINISHES**

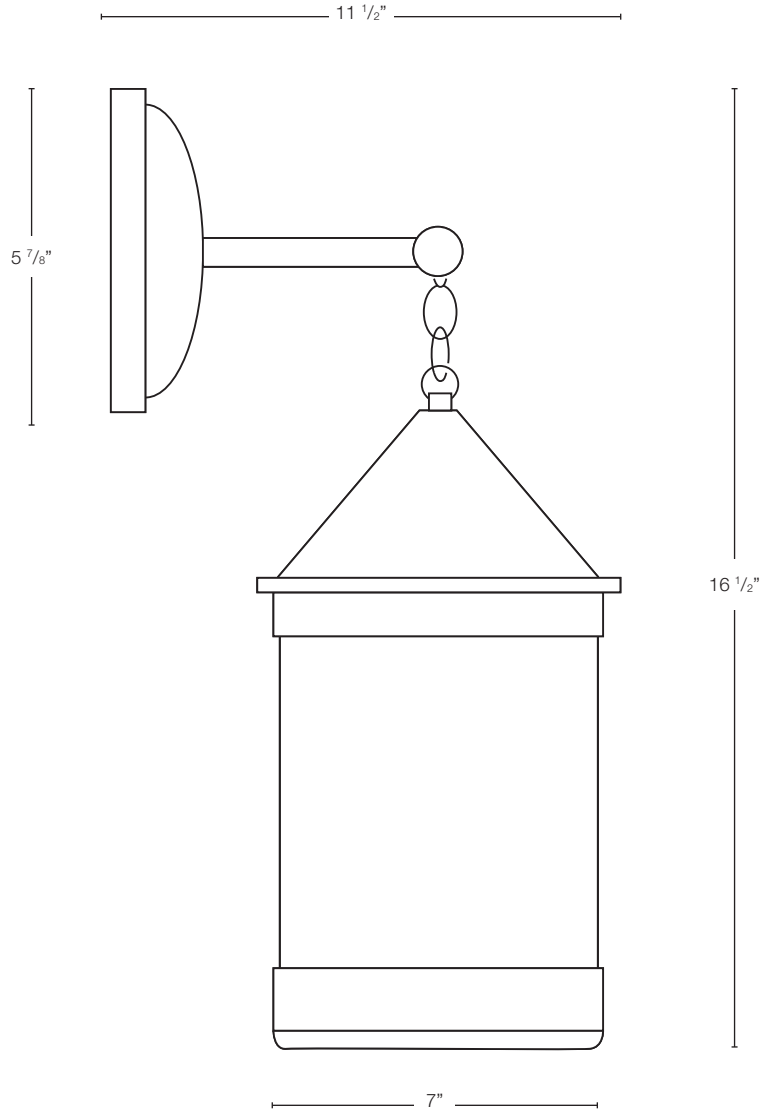
- Matte Bronze (MBR)
- Verde (V)
- Moss (M)
- Black (B)
- Rusty (R)
- Satin Brass (SB)
- Aged Brass (AG)
- Raw Copper (RC)
- Natural Copper (NC)

**PVD PREMIUM**

- PVD Polished (PVDP)
- PVD Satin (PVDS)
- PVD Graphite (PVDG)
- PVD Bronze (PVDBZ)
- PVD Black (PVDBL)

**ACRYLIC**

- Clear
- Clear Seedy
- Frosted Seedy
- Powder Coat Frosted
- Opaque White
- Honey



Wet Listed



Ordering Example

Customer Approval

Date

SPJ41-04B-V-HS-120V