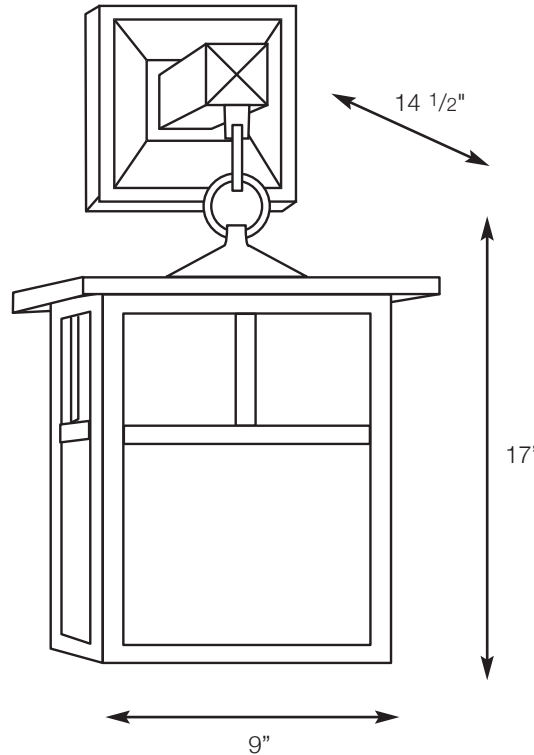


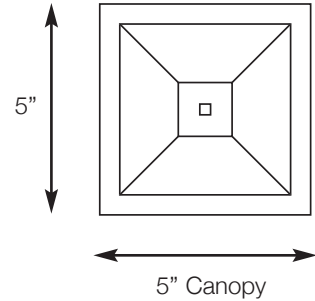
# SPJ38-03B

Craftsman Wall / Arm Lantern

Shown: T-Bar Overlay



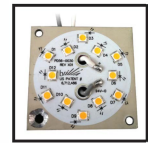
Mounting Canopy



**Unlimited LED Lumen Packages & Color Temperatures Available!**



SPJ-A19  
12V  
2W or 4W



FB-MP1000  
120V  
10W  
1000 LUMENS  
WARM DIMMING

- |                              |                                   |
|------------------------------|-----------------------------------|
| <b>MODEL :</b>               | SPJ38-03B                         |
| <b>MATERIAL :</b>            | Solid Brass                       |
| <b>FINISH :</b>              | Specify                           |
| <b>GLASS :</b>               | Specify                           |
| <b>ELECTRICAL :</b>          | 120v                              |
| <b>SOCKET :</b>              | Medium Base                       |
| <b>LAMP :</b>                | 100w Max.                         |
| <b>FLUORESCENT OPTIONS :</b> | PL-13W, PLT-26W, PLT-32W, PLT-42W |
| <b>MOUNTING :</b>            | Wall Arm (Straight)               |
| <b>OVERLAY :</b>             | Specify                           |



DRAWN BY: MMC

BASE DESIGN: SPJ

DATE: 01-10-10

## SPJ LIGHTING INC.

2107 Chico Avenue  
South El Monte, CA 91733  
(800) 469-3637 FAX: (626) 433-4839