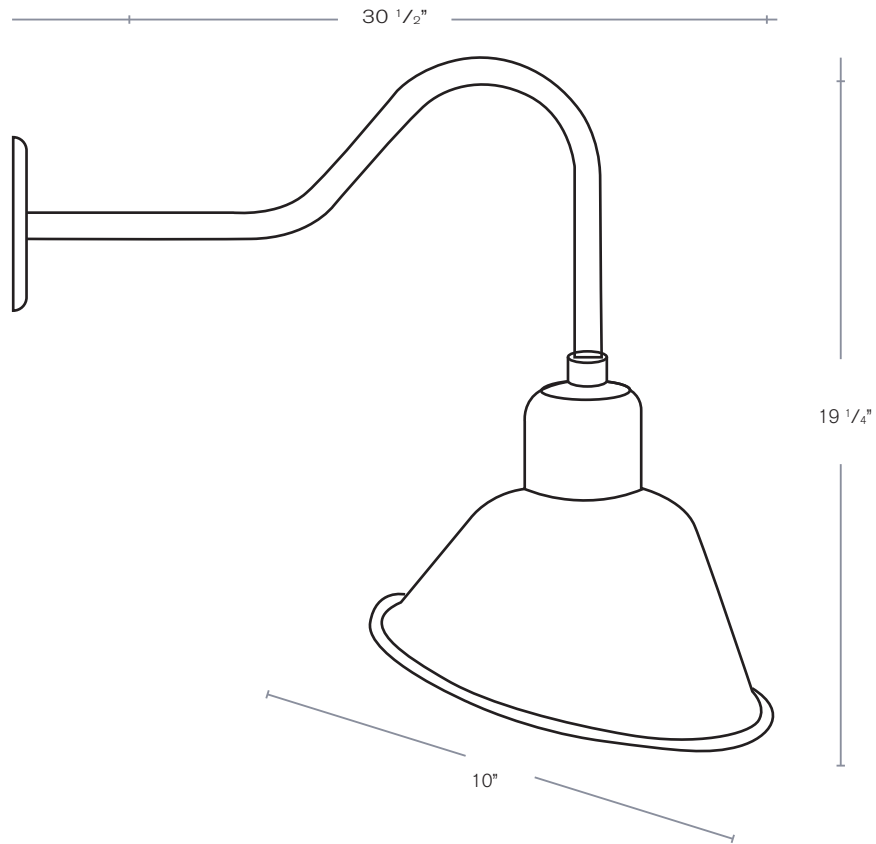


# SPJ36-05



**MODEL:** SPJ36-05  
**MOUNTING :** 1/2" NPT  
**SOCKET :** Medium Base  
**ELECTRICAL :** 120V  
**LAMP :** 100W Max

DRAWN BY: MMC

BASE DESIGN: SPJ

DATE: 12-19-00

## **SPJ LIGHTING INC.**

2107 Chico Avenue  
South El Monte, CA 91733  
(800) 469-3637 FAX: (626) 433-4839

Shop Drawing Number: 100-167