



MODEL: **SPJ36-01**
 MATERIAL: **Solid Brass**
 FINISH SHOWN: **Aged Brass**
 GLASS: **Clear Seedy**
 ELECTRICAL: **12V or 120V**
 SOCKET: **(2) Light Candelabra**
 MOUNTING: **Half Flush Mount**

LED OPTION

Integrated FB-RD8 Board & Driver
 (Standard)

WATTAGE	LUMENS
<input type="checkbox"/> 8W	1000

Custom lumen packages are available upon request

COLOR TEMPERATURE

- 2200K
- 2700K
- 3000K
- 4000K
- 5000K
- 6500K
- RGBW-PLC
- WARM DIMMING

Custom options are available

ELECTRICAL

- 12V
- 120V
- 120V-277V

FINISHES

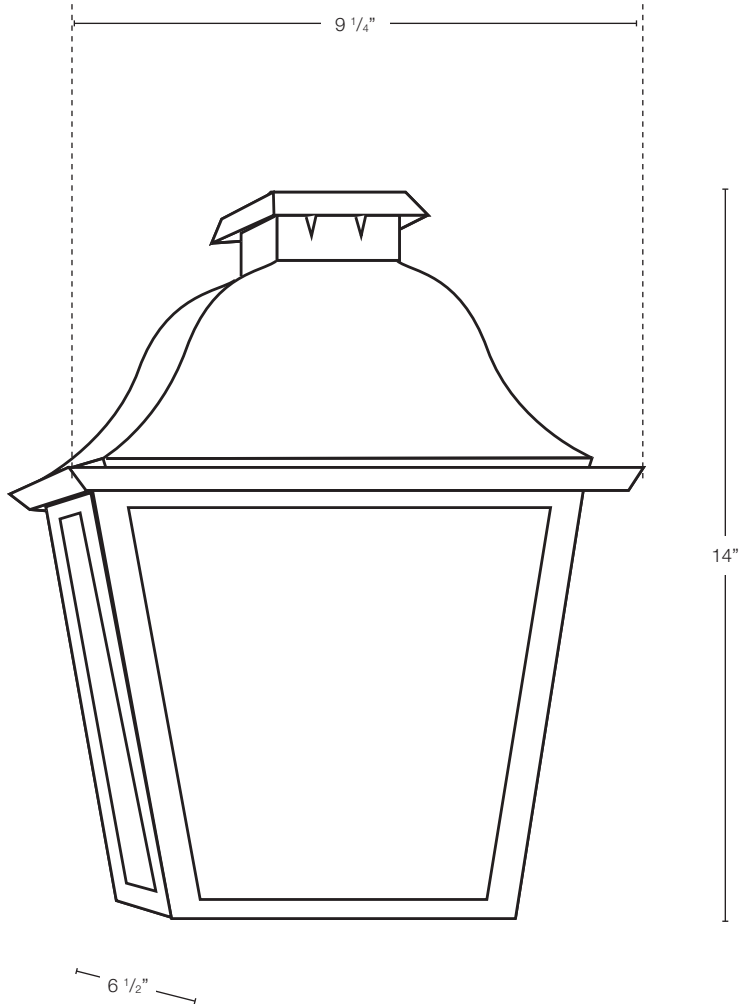
- Matte Bronze (MBR)
- Verde (V)
- Moss (M)
- Black (B)
- Rusty (R)
- Satin Brass (SB)
- Aged Brass (AG)
- Raw Copper (RC)
- Natural Copper (NC)

PVD PREMIUM

- PVD Polished (PVDP)
- PVD Satin (PVDS)
- PVD Graphite (PVDG)
- PVD Bronze (PVDBZ)
- PVD Black (PVDBL)

GLASS

- Clear
- Clear Seedy
- Frosted Seedy
- Frosted
- White Swirl
- Honey Swirl
- Honey Iridescent
- Rose Swirl



Wet Listed



Ordering Example

Customer Approval

Date

SPJ36-01-AG-CS-120V