



MODEL: **SPJ35-02C**  
 MATERIAL: **Solid Brass**  
 FINISH SHOWN: **Verde**  
 GLASS: **Clear Seedy**  
 ELECTRICAL: **12V or 120V**  
 SOCKET: **(2) Light Candelabra**  
 MOUNTING: **Half Flush Mount**

**LED OPTION**

Integrated FB-RD8 Board & Driver  
(Standard)

WATTAGE	LUMENS
<input type="checkbox"/> 8W	1000

Custom lumen packages are available upon request

**COLOR TEMPERATURE**

- |                                |                                       |
|--------------------------------|---------------------------------------|
| <input type="checkbox"/> 2200K | <input type="checkbox"/> 5000K        |
| <input type="checkbox"/> 2700K | <input type="checkbox"/> 6500K        |
| <input type="checkbox"/> 3000K | <input type="checkbox"/> RGBW-PLC     |
| <input type="checkbox"/> 4000K | <input type="checkbox"/> WARM DIMMING |

Custom options are available

**ELECTRICAL**

- 12V    120V    120V-277V

**FINISHES**

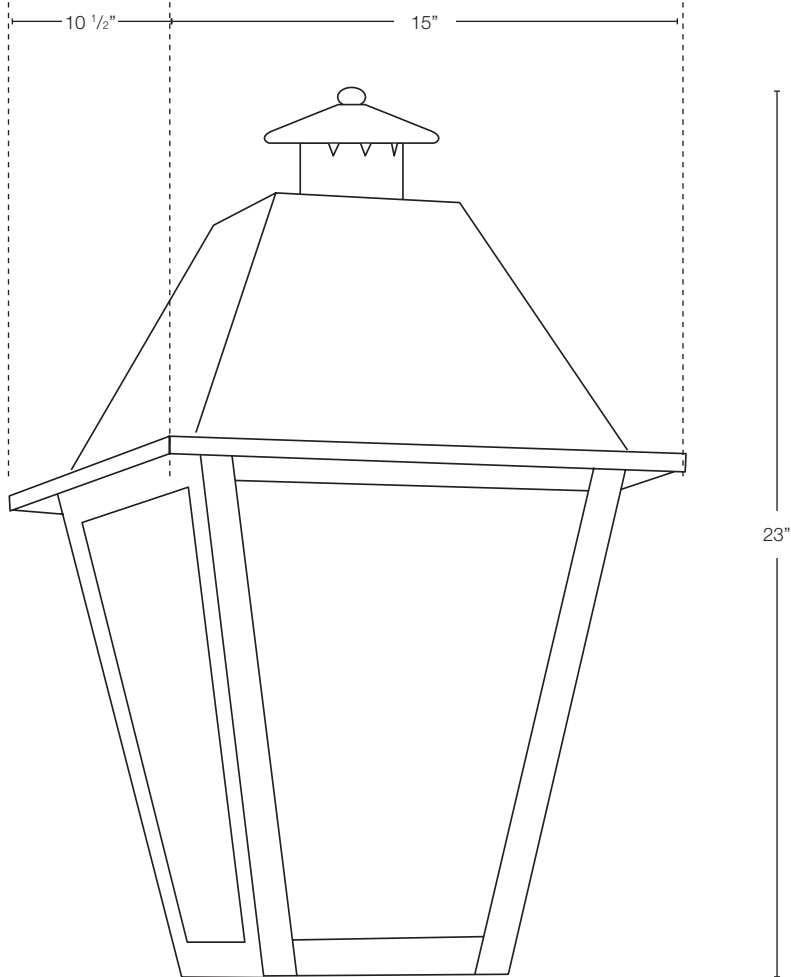
- Matte Bronze (MBR)
- Verde (V)
- Moss (M)
- Black (B)
- Rusty (R)
- Satin Brass (SB)
- Aged Brass (AG)
- Raw Copper (RC)
- Natural Copper (NC)

**PVD PREMIUM**

- PVD Polished (PVDP)
- PVD Satin (PVDS)
- PVD Graphite (PVDG)
- PVD Bronze (PVDBZ)
- PVD Black (PVDBL)

**GLASS**

- |  |   |
|--|---|
| <input type="checkbox"/> Clear         | <input type="checkbox"/> White Iridescent |
| <input type="checkbox"/> Clear Seedy   | <input type="checkbox"/> Honey Swirl      |
| <input type="checkbox"/> Frosted Seedy | <input type="checkbox"/> Honey Iridescent |
| <input type="checkbox"/> Frosted       | <input type="checkbox"/> Rose Swirl       |
| <input type="checkbox"/> White Swirl   |   |



Wet Listed



Ordering Example

Customer Approval

Date

SPJ35-02C-V-CS-120V