



MODEL: **SPJ34-W-A-226**  
 MATERIAL: **Marine Grade Stainless**  
 FINISH SHOWN: **Brushed Stainless Steel**  
 ACRYLIC: **Opaque White**  
 ELECTRICAL: **120V**  
 SOCKET: **(1) Medium Base**  
 MOUNTING: **Wall / Flush**

**LED OPTION**

Integrated FB-RD8 Board & Driver  
(Standard)

WATTAGE	LUMENS
<input type="checkbox"/> 8W	1000

Custom lumen packages are available upon request

**COLOR TEMPERATURE**

- 2200K     5000K
- 2700K     6500K
- 3000K     RGBW-PLC
- 4000K     WARM DIMMING

Custom options are available

**ELECTRICAL**

- 12V     120V     120V-277V

**FINISHES**

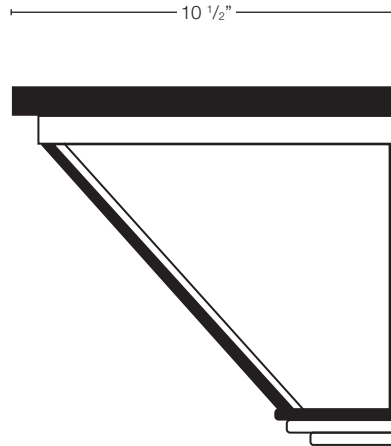
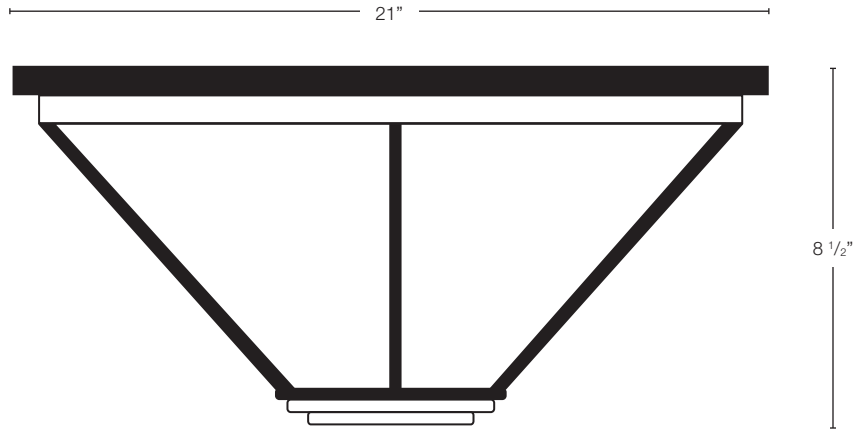
- Matte Bronze (MBR)
- Verde (V)
- Moss (M)
- Black (B)
- Rusty (R)
- Satin Brass (SB)
- Aged Brass (AG)
- Raw Copper (RC)
- Natural Copper (NC)

**PVD PREMIUM**

- PVD Polished (PVDP)
- PVD Satin (PVDS)
- PVD Graphite (PVDG)
- PVD Bronze (PVDBZ)
- PVD Black (PVDBL)

**ACRYLIC**

- Clear                     Powder Coat Frosted
- Clear Seedy             Opaque White
- Frosted Seedy         Honey



Must Specify Wet Location



Wet Listed



Ordering Example

Customer Approval

Date

SPJ34-W-A-226-\_\_\_\_\_-120V