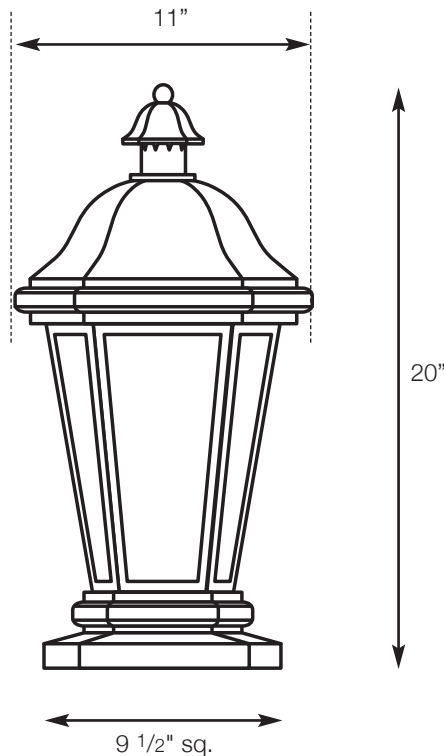


SPJ30-02B

Lantern



MODEL:	SPJ30-02B
MATERIAL :	Solid Brass
FINISH :	Specify
GLASS :	Specify
ELECTRICAL :	120v
SOCKET :	(3) Light Candelabra
LAMP :	Specify
FLUORESCENT OPTIONS :	PL-13W, PLT-26W, PLT-32W, PLT-42W
MOUNTING :	Column Mount



DRAWN BY: MMC

BASE DESIGN: SPJ

DATE: 01-10-10

SPJ LIGHTING INC.

2107 Chico Avenue
South El Monte, CA 91733
(800) 469-3637 FAX: (626) 433-4839