



MODEL: **SPJ29-02C**
 MATERIAL: **Solid Brass**
 FINISH SHOWN: **Matte Bronze**
 GLASS: **Clear Seedy**
 ELECTRICAL: **12V or 120V**
 SOCKET: **(3) Light Candelabra**
 MOUNTING: **Flush Mount**

LED OPTION

Integrated FB-RD8 Board & Driver
(Standard)

WATTAGE	LUMENS
<input type="checkbox"/> 8W	1000

Custom lumen packages are available upon request

COLOR TEMPERATURE

- | | |
|--------------------------------|---------------------------------------|
| <input type="checkbox"/> 2200K | <input type="checkbox"/> 5000K |
| <input type="checkbox"/> 2700K | <input type="checkbox"/> 6500K |
| <input type="checkbox"/> 3000K | <input type="checkbox"/> RGBW-PLC |
| <input type="checkbox"/> 4000K | <input type="checkbox"/> WARM DIMMING |

Custom options are available

ELECTRICAL

- 12V 120V 120V-277V

FINISHES

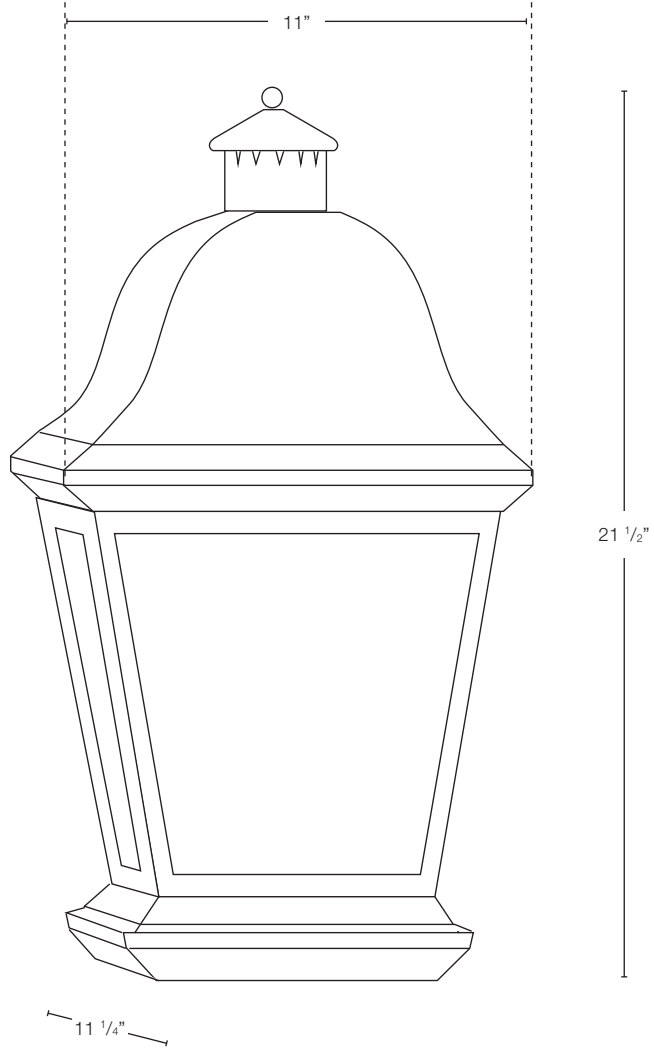
- Matte Bronze (MBR)
- Verde (V)
- Moss (M)
- Black (B)
- Rusty (R)
- Satin Brass (SB)
- Aged Brass (AG)
- Raw Copper (RC)
- Natural Copper (NC)

PVD PREMIUM

- PVD Polished (PVDP)
- PVD Satin (PVDS)
- PVD Graphite (PVDG)
- PVD Bronze (PVDBZ)
- PVD Black (PVDBL)

GLASS

- | | |
|----------------------------------------|-------------------------------------------|
| <input type="checkbox"/> Clear | <input type="checkbox"/> White Iridescent |
| <input type="checkbox"/> Clear Seedy | <input type="checkbox"/> Honey Swirl |
| <input type="checkbox"/> Frosted Seedy | <input type="checkbox"/> Honey Iridescent |
| <input type="checkbox"/> Frosted | <input type="checkbox"/> Rose Swirl |
| <input type="checkbox"/> White Swirl | |



Wet Listed



Ordering Example

Customer Approval

Date

SPJ29-02C-MBR-CS-120V