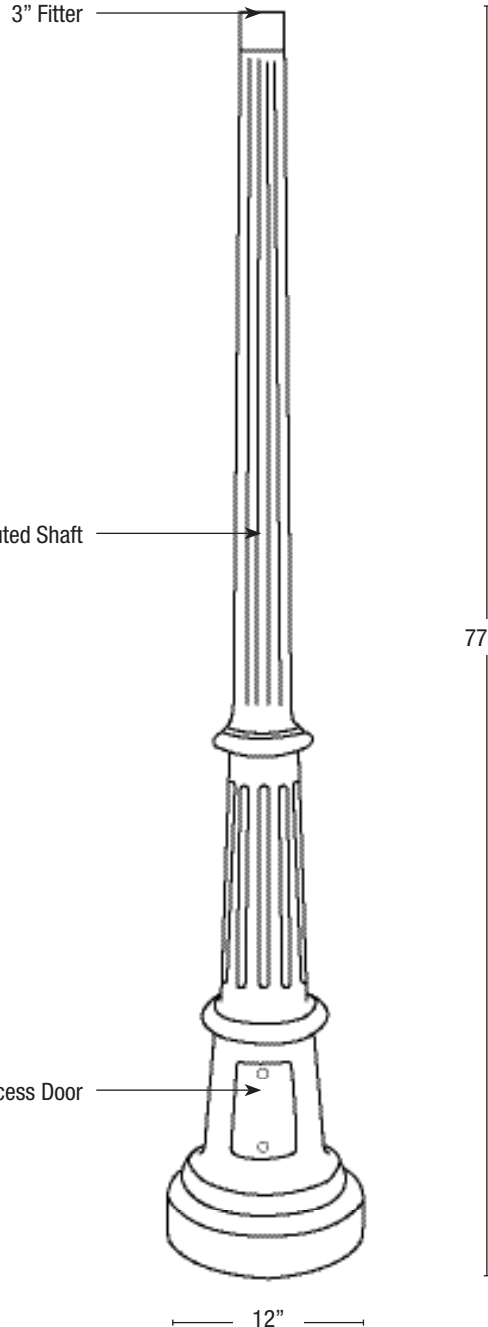




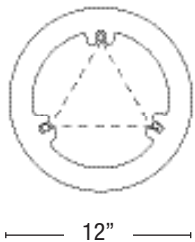
MODEL: **SPJ26-01B**  
 MATERIAL: **Cast Aluminum**  
 FINISH SHOWN: **Powder Coat Rusty**  
 SHAFT: **Fluted**  
 MOUNTING: **Anchor Bolts**  
 FOOTING: **Concrete 24" Diameter Recommended**

**FINISHES**

- Black (PCB)
- Bronze (PBR)
- Rusty (PR)
- White (PW)
- Powder Coat Custom (PC)



Anchor Bolt Pattern



Wet Listed



Ordering Example

Customer Approval

Date

SPJ26-01B-PR