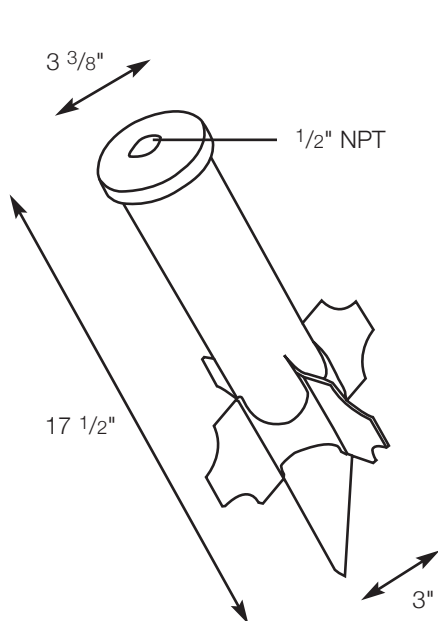


**SPJ19-03**

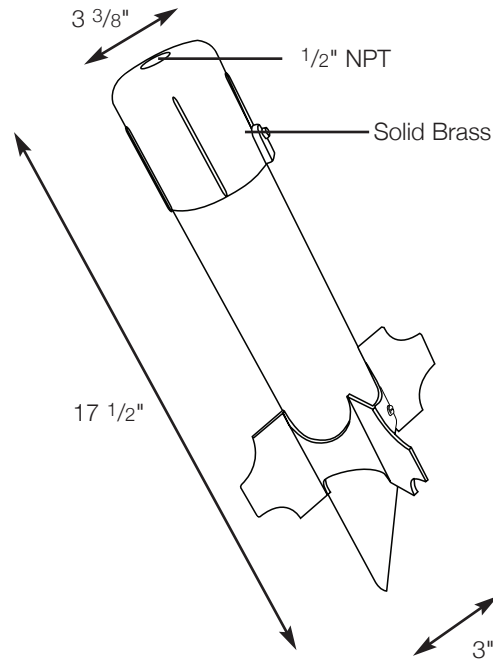
Perma Post

*Quick Ship*



**SPJ19-03-SP-RB**

Perma Post



**MODEL:** SPJ19-03  
**MATERIAL :** Plastic  
**ELECTRICAL :** 12v or 120v  
**MOUNTING :** Direct Burial

**MODEL:** SPJ19-03-SP-RB  
**MATERIAL :** Brass Cap  
**ELECTRICAL :** 12v or 120v  
**MOUNTING :** Direct Burial

DRAWN BY: MMC

BASE DESIGN: SPJ

DATE: 01-10-10

**SPJ LIGHTING INC.**

2107 Chico Avenue  
South El Monte, CA 91733  
(800) 469-3637 FAX: (626) 433-4839