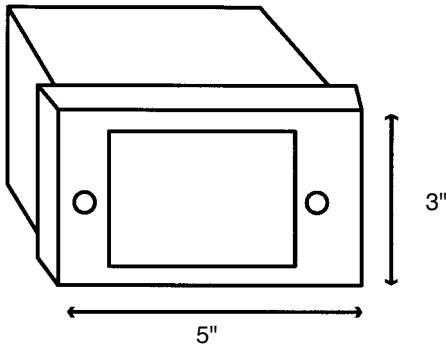


SPJ17-01A



MODEL: SPJ17-01A
MOUNTING : Recessed
SOCKET: Single Contact Bayonet
ELECTRICAL : 12V
LAMP : 18 WATT

FINISH OPTIONS:

(V) VERDE (GM) GUN METAL
(M) MOSS (R) RUSTY
(AG) AGED BRASS (W) WHITE
(BR) BRONZE (B) BLACK

DRAWN BY: MMC

BASE DESIGN: SPJ

DATE: 04-03-04

SPJ LIGHTING INC.

2107 Chico Avenue
 South El Monte, CA 91733
 (800) 469-3637 FAX: (626) 433-4839