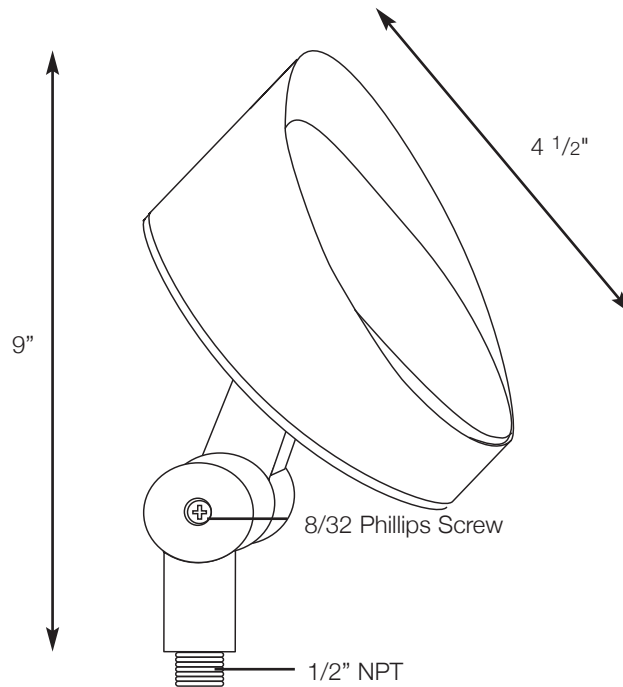


# SPJ15-03

Flood Light

**Quick Ship**



- MODEL:** SPJ15-03
- MATERIAL :** Solid Brass or Copper
- FINISH :** Specify
- ELECTRICAL :** 12v
- SOCKET :** Screw Terminals
- LAMP :** Par 36 50W Max. (not included)
- MOUNTING :** 1/2" NPT Dual Fin Spike Incl.

DRAWN BY: MMC

BASE DESIGN: SPJ

DATE: 01-10-10

## SPJ LIGHTING INC.

2107 Chico Avenue  
South El Monte, CA 91733  
(800) 469-3637 FAX: (626) 433-4839