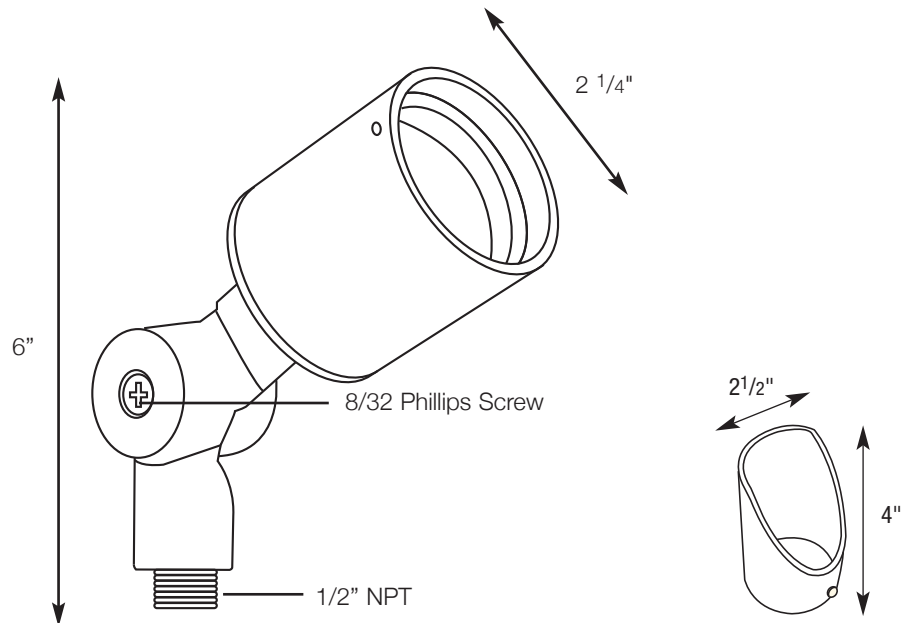


# SPJ14-10

Directional Light

**Quick Ship**



**Model: SPJ14-50 (optional)**  
Adjustable shroud with set screw  
For SPJ14-10 & SPJ14-20

**Options:**  
Honeycomb Louvre  
Glass Filters  
Spread Lens

**MODEL:** SPJ14-10  
**MATERIAL :** Machined Brass  
**FINISH :** Specify  
**ELECTRICAL :** 12v  
**SOCKET :** All Weather Ceramic  
**LAMP :** MR-16 50W Max. (not included)  
**MOUNTING :** 1/2" NPT Dual Fin Spike Incl.



DRAWN BY: MMC

BASE DESIGN: SPJ

DATE: 01-10-10

## SPJ LIGHTING INC.

2107 Chico Avenue  
 South El Monte, CA 91733  
 (800) 469-3637 FAX: (626) 433-4839