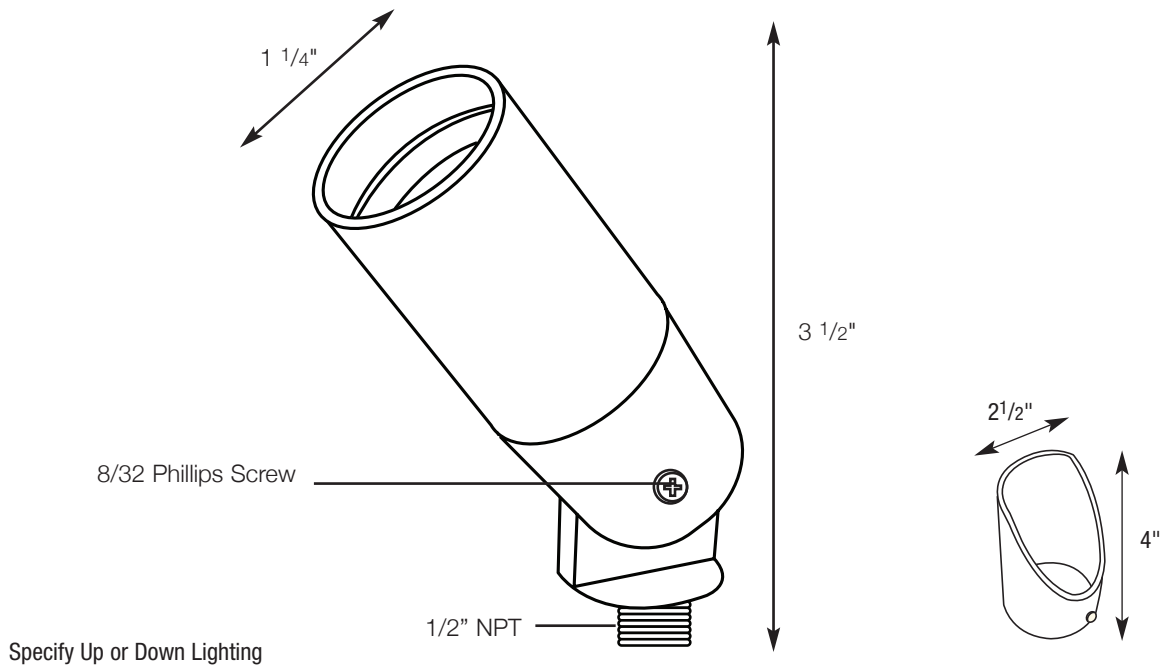


SPJ14-00

Directional Light

Quick Ship



Model: SPJ14-51 (optional)
Adjustable shroud with set screw
For SPJ14-00

Options:
Honeycomb Louvre
Glass Filters
Spread Lens

MODEL: SPJ14-00
MATERIAL : Machined Brass
FINISH : Specify
ELECTRICAL : 12v
SOCKET : All Weather Ceramic
LAMP : MR-8 20W Max. (not included)
MOUNTING : 1/2" NPT Dual Fin Spike Incl.



DRAWN BY: MMC

BASE DESIGN: SPJ

DATE: 01-10-10

SPJ LIGHTING INC.

2107 Chico Avenue
South El Monte, CA 91733
(800) 469-3637 FAX: (626) 433-4839