



Forever Bright

SPECIFICATION FEATURES



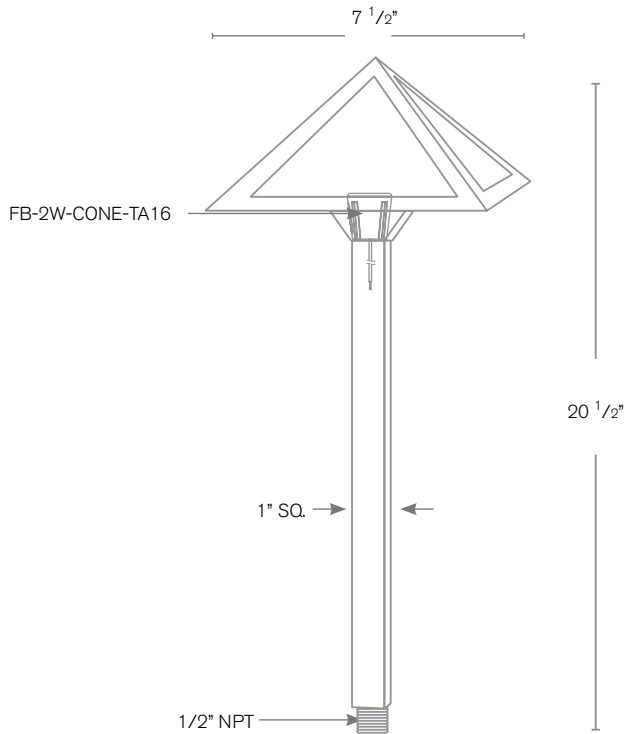
Model: **SPJ07-01**
Shown: Verde / Honey Swirl

- Finish:** Our naturally etched finishes will withstand the test of time. All finishes are individually treated insuring consistency. Our meticulous application results in a fixture that truly becomes "a one of a kind".
- Electrical:** Available in 8-15V
- Labels:** ETL Standard Wet Label
C-ETL

Craftsman Path Light

DESCRIPTION

- Model#:** SPJ07-01
- Material:** Solid Brass
- Electrical:** 8-15V
- Engine:** FB-2W-Cone-TA16
- Lumens:** 150
- Color Temp:** 2700k
- Mounting:** 1/2" NPT. Dual Fin Spike Incl.
- LED:** Nichia



Wet Listed



ORDERING INFORMATION

Model#	Finishes	Wattage	Glass	Lumens	Color Temp.	Electrical
SPJ07-01	V	2W	HS	150	2700K	8-15V
V = Verde	GM = Gun Metal	2W	C = Clear	150	2700K	8-15V
M = Moss	B = Black		CS = Clear Seedy	160	4000K	
AG = Aged Brass	R = Rusty		FS = Frosted Seedy	170	5000K	
MBR = Matte Bronze	PVDP = PVD Polished		F = Frosted			
RC = Raw Copper	PVDS = PVD Satin		WS = White Swirl			
			WI = White Iridescent			
			HS = Honey Swirl			
			HI = Honey Iridescent			
			RS = Rose Swirl			