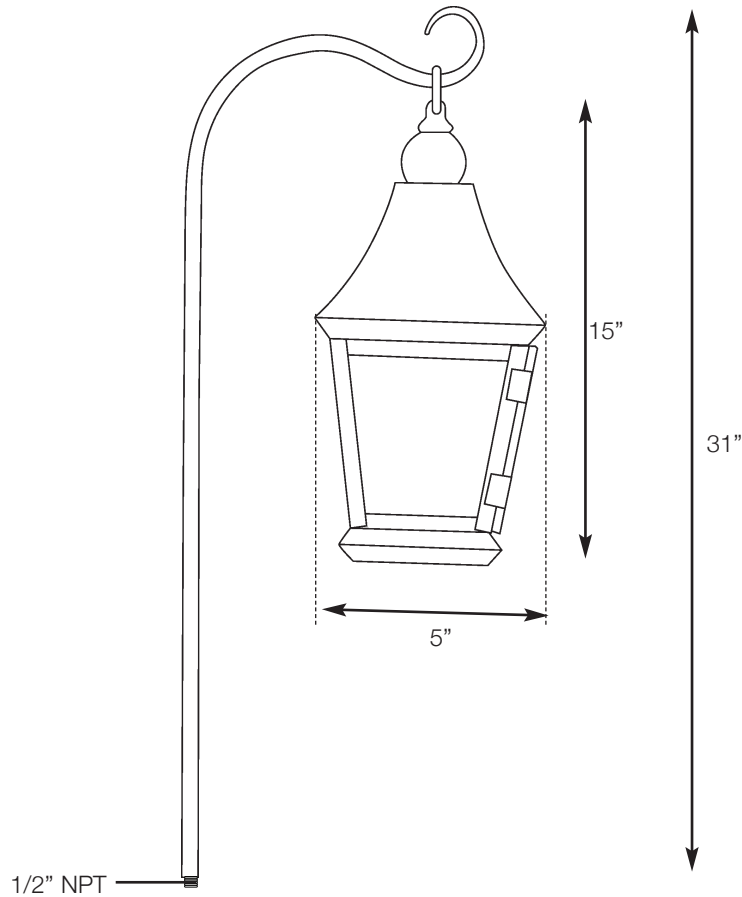


SPJ05-09

Path Light



- MODEL:** SPJ05-09
- MATERIAL :** Solid Brass
- FINISH :** Specify
- GLASS :** Specify
- ELECTRICAL :** 12v
- SOCKET :** Single Contact Bayonet
- LAMP :** 26w Max.
- MOUNTING :** 1/2" NPT Dual Fin Spike Incl.

DRAWN BY: MMC

BASE DESIGN: SPJ

DATE: 01-10-10

SPJ LIGHTING INC.

2107 Chico Avenue
South El Monte, CA 91733
(800) 469-3637 FAX: (626) 433-4839