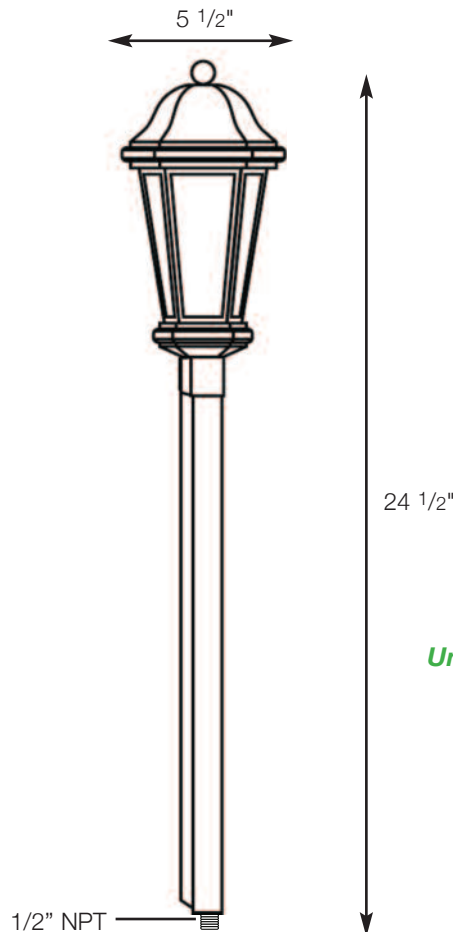


# SPJ04-02

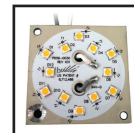
Garden Lantern



*Unlimited LED Lumen Packages & Color Temperatures Available!*



SPJ-2W-CB-C  
2W  
12V or 120V



FB-MP1000  
120V  
10W  
1000 LUMENS  
WARM DIMMING

- MODEL:** SPJ04-02
- MATERIAL :** Solid Brass
- FINISH :** Specify
- GLASS :** Specify
- ELECTRICAL :** 12v or 120v
- SOCKET :** (1) Light Candelabra
- LAMP :** Specify
- MOUNTING :** 1/2" NPT Perma Post Recommended SPJ19-03

DRAWN BY: MMC

BASE DESIGN: SPJ

DATE: 01-10-10

## SPJ LIGHTING INC.

2107 Chico Avenue  
South El Monte, CA 91733  
(800) 469-3637 FAX: (626) 433-4839