



MODEL: **SPJ-TK002**
 MATERIAL: **Solid Brass**
 FINISH: **Rusty**
 ELECTRICAL: **8-15V**
 ENGINE: **FB-2W-CYL-TA16**
 LUMENS: **150**
 COLOR TEMP: **2700K**
 MOUNTING: **1/2" NPT. Dual Fin Spike Included**
 LED: **Nichia**

FINISHES

- Matte Bronze (MBR)
- Verde (V)
- Moss (M)
- Black (B)
- Rusty (R)
- Satin Brass (SB)
- Aged Brass (AG)
- Raw Copper (RC)
- Natural Copper (NC)

PVD PREMIUM

- PVD Polished (PVDP)
- PVD Satin (PVDS)
- PVD Graphite (PVDG)
- PVD Bronze (PVDBZ)
- PVD Black (PVDBL)

| WATTAGE | LUMENS |
|-----------------------------|--------|
| <input type="checkbox"/> 2W | 150 |
| <input type="checkbox"/> 3W | 200 |
| <input type="checkbox"/> 6W | 300 |
| <input type="checkbox"/> 8W | 580 |

Custom lumen packages are available upon request

COLOR TEMPERATURE

- 2200K
- 2700K
- 3000K
- 4000K
- 5000K
- 6500K
- Amber (TF)
- RGBW

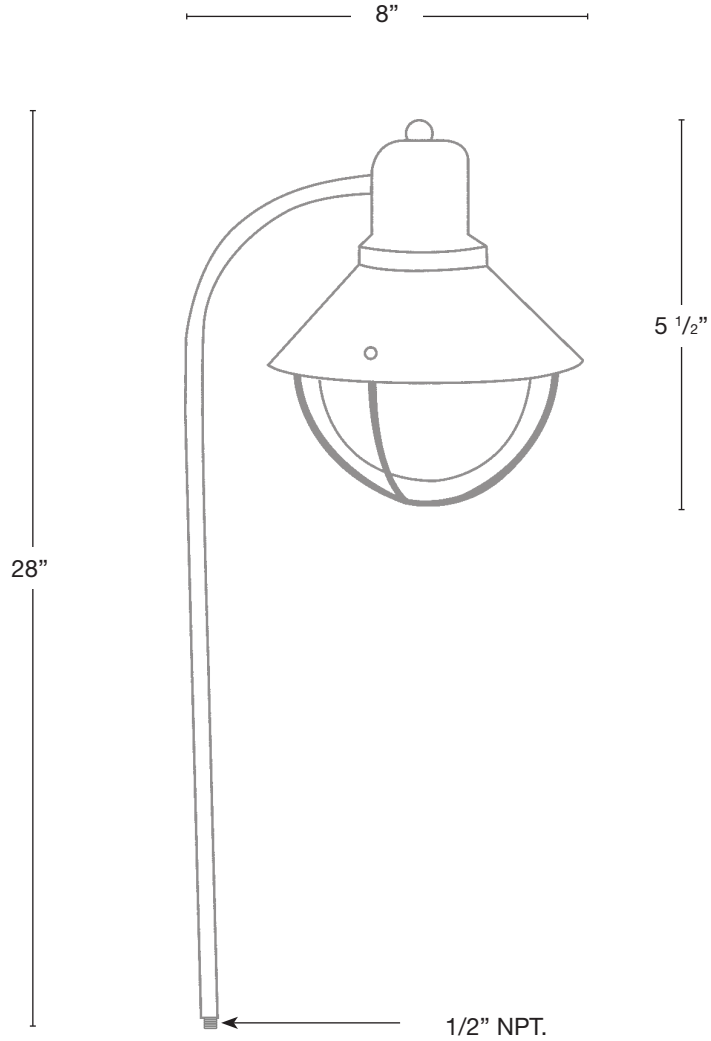
Custom options are available

ELECTRICAL

- 8-15V
- 120V

OPTICS

- SPOT
- WIDE FLOOD
- FLOOD
- WIDE ANGLE FLOOD



Wet Listed



| Ordering Example | Customer Approval | Date |
|--------------------------|-------------------|------|
| SPJ-TK002-R-2W-27K-8-15V | | |