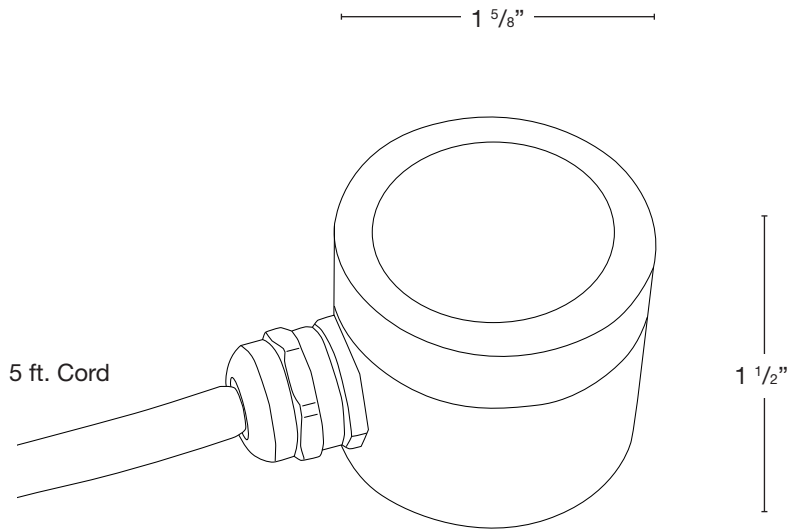




MODEL: **SPJ-MUL-2**
 MATERIAL: **Solid Brass**
 FINISH SHOWN: **Satin Brass**
 ELECTRICAL: **12V**
 ENGINE: **FB-2W-CYL-TA16**
 LUMENS: **150**
 COLOR TEMP: **2700K**
 MOUNTING: **In Ground**
 LED: **Nichia**



WATTAGE	LUMENS
<input type="checkbox"/> 2W	150

COLOR TEMPERATURE

- | | |
|--------------------------------|--------------------------------|
| <input type="checkbox"/> 2200K | <input type="checkbox"/> 5000K |
| <input type="checkbox"/> 2700K | <input type="checkbox"/> 6500K |
| <input type="checkbox"/> 3000K | <input type="checkbox"/> RGBW |
| <input type="checkbox"/> 4000K | |

ELECTRICAL

- 12V



Wet Listed



Ordering Example

Customer Approval

Date

SPJ-MUL-2-SB-2W-27K-8-15V