



MODEL: **SPJ-GDG-24-EB**  
 MATERIAL: **Solid Brass**  
 FINISH SHOWN: **Black**  
 ELECTRICAL: **8-15V or 120V**  
 WATTAGE: **2W**  
 ENGINE: **FB-2W-CYL-TA16**  
 LUMENS: **150**  
 MOUNTING: **1/2" NPT. Dual Fin Spike Included**

**FINISHES**

- Matte Bronze (MBR)
- Verde (V)
- Moss (M)
- Black (B)
- Rusty (R)
- Satin Brass (SB)
- Aged Brass (AG)
- Raw Copper (RC)
- Natural Copper (NC)

**PVD PREMIUM**

- PVD Polished (PVDP)
- PVD Satin (PVDS)
- PVD Graphite (PVDG)
- PVD Bronze (PVDBZ)
- PVD Black (PVDBL)

WATTAGE	LUMENS
<input type="checkbox"/> 2W	150
<input type="checkbox"/> 3W	200
<input type="checkbox"/> 6W	300

Custom lumen packages are available upon request

**COLOR TEMPERATURE**

- 2200K
- 2700K
- 3000K
- 4000K
- 5000K
- 6500K
- Amber (TF)
- RGBW

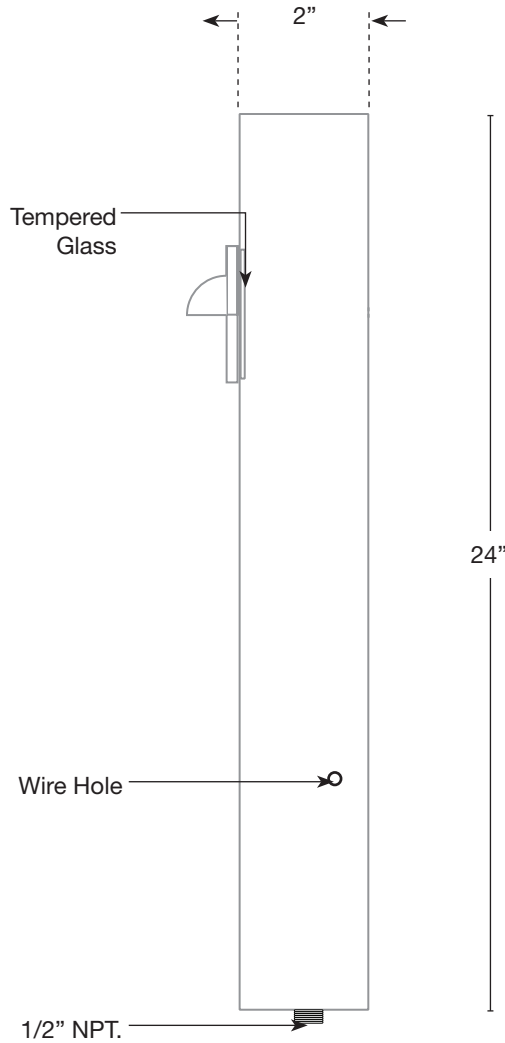
Custom options are available

**ELECTRICAL**

- 8-15V
- 120V

**MOUNTING OPTION**

- Anchor bolted-DM6SQ
- Direct Burial-DB



**Deck Mount & Base Cover**



SPJ-DM6SQ (SHOWN)  
SPJ-DM8SQ 8"  
Deck Mount



SPJ-DMC-6SQ (SHOWN)  
SPJ-DMC-8SQ 8 1/8"  
Deck Cover



**Wet Listed**



Ordering Example

Customer Approval

Date

SPJ-GDG-24-EB-B-2W-27K-12V-\_\_\_\_