

SPJ-FB-LS-2

SPECIFICATION FEATURES

Electrical: Available in 12V
Labels: UL Wet Listed

Quick Connect • 90 CRI • IP67 Rated



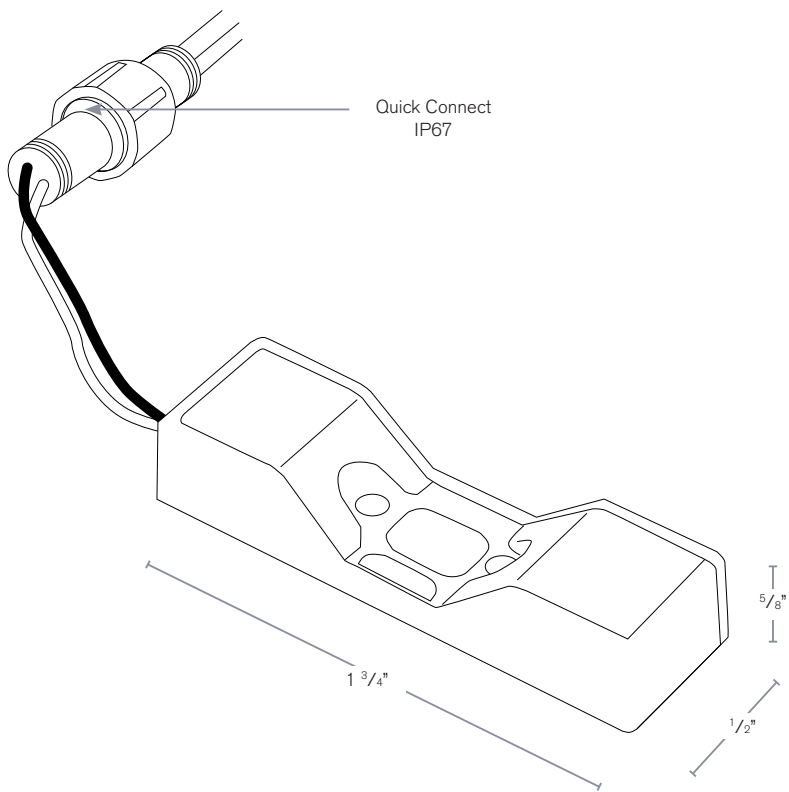
Model: **SPJ-FB-LS-2-150**
Model: **SPJ-FB-LS-3-200**

Forever Bright Engine

DESCRIPTION

Model#: SPJ-FB-LS-2-150
SPJ-FB-LS-3-200
Electrical: 12V
Color Temp: 2700K
Mounting: Quick Connect

MODEL #	WATTAGE	LUMENS
SPJ-FB-LS-2-150	2	150
SPJ-FB-LS-3-200	3	200



SPJ Approval	Customer Approval

ORDERING INFORMATION

Model#	Wattage	Lumens	Electrical	Color Temp.
<input type="text"/> SPJ-FB-LS-2-150 SPJ-FB-LS-3-200	<input type="text" value="2W"/>	<input type="text" value="150"/> <input type="text" value="200"/>	<input type="text" value="12V"/>	<input type="text" value="2700K"/> <input type="text" value="4000K"/> <input type="text" value="5000K"/>