



MODEL: **SPJ-DSP-100**
 MATERIAL: **Solid Brass**
 FINISH: **Matte Bronze**
 ELECTRICAL: **8-15V**
 ENGINE: **(2) FB-2W-CYL-TA16**
 LUMENS: **300**
 COLOR TEMP: **2700K**
 MOUNTING: **1/2" NPT. Dual Fin Spike Included**
 LED: **Nichia**

FINISHES

- Matte Bronze (MBR)
- Verde (V)
- Moss (M)
- Black (B)
- Rusty (R)
- Satin Brass (SB)
- Aged Brass (AG)
- Raw Copper (RC)
- Natural Copper (NC)

PVD PREMIUM

- PVD Polished (PVDP)
- PVD Satin (PVDS)
- PVD Graphite (PVDG)
- PVD Bronze (PVDBZ)
- PVD Black (PVDBL)

WATTAGE	LUMENS
<input type="checkbox"/> 2W	150
<input type="checkbox"/> 3W	200
<input type="checkbox"/> 6W	300

Custom lumen packages are available upon request

COLOR TEMPERATURE

- 2200K
- 2700K
- 3000K
- 4000K
- 5000K
- 6500K
- Amber (TF)
- RGBW

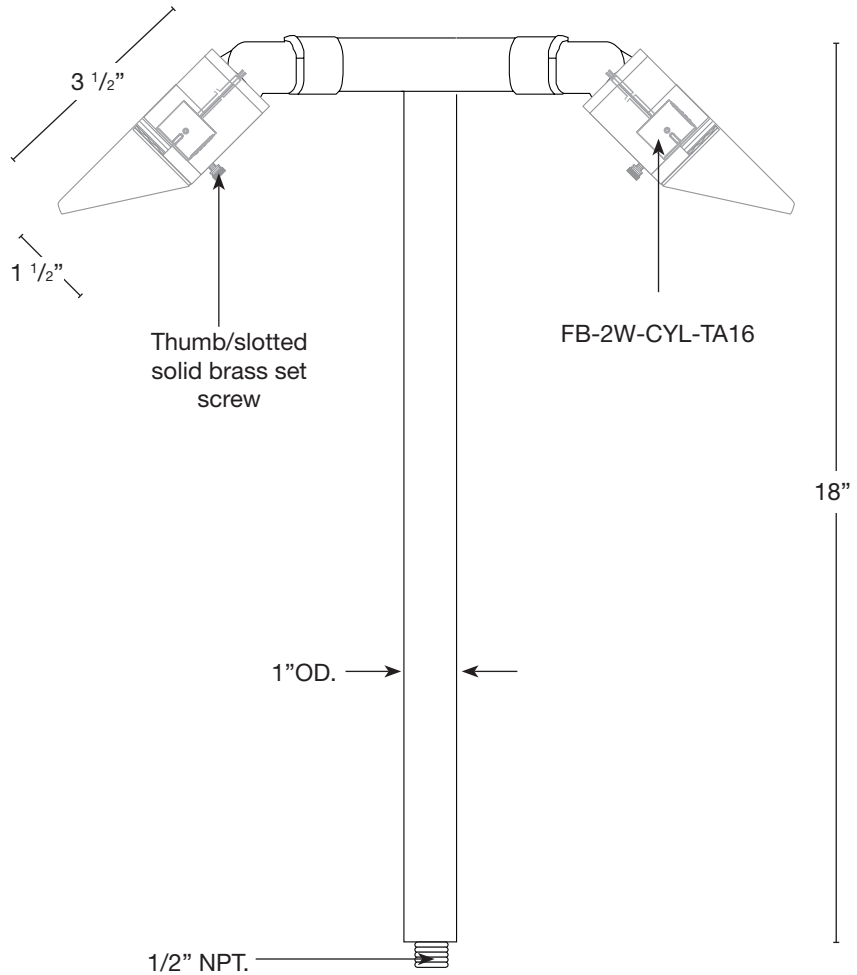
Custom options are available

ELECTRICAL

- 8-15V
- 120V

OPTICS

- SPOT
- WIDE FLOOD
- FLOOD
- WIDE ANGLE FLOOD



Wet Listed



Ordering Example	Customer Approval	Date
SPJ-DSP-100-MBR-2W-27K-8-15V		