



MODEL: **SPJ-ACC24**
 MATERIAL: **Solid Brass**
 FINISH SHOWN: **Matte Bronze**
 ELECTRICAL: **12V or 120V**
 WATTAGE: **2W**
 ENGINE: **FB-LS2**
 LUMENS: **150**
 MOUNTING: **1/2" NPT. Dual Fin Spike Included**

FINISHES

- Matte Bronze (MBR)
- Verde (V)
- Moss (M)
- Black (B)
- Rusty (R)
- Satin Brass (SB)
- Aged Brass (AG)
- Raw Copper (RC)
- Natural Copper (NC)

PVD PREMIUM

- PVD Polished (PVDP)
- PVD Satin (PVDS)
- PVD Graphite (PVDG)
- PVD Bronze (PVDBZ)
- PVD Black (PVDBL)

WATTAGE	LUMENS
<input type="checkbox"/> 2W	150
<input type="checkbox"/> 3W	350

Custom lumen packages are available upon request

COLOR TEMPERATURE

- 2200K
- 2700K
- 3000K
- 4000K
- 5000K
- 6500K
- Amber (TF)
- RGBW

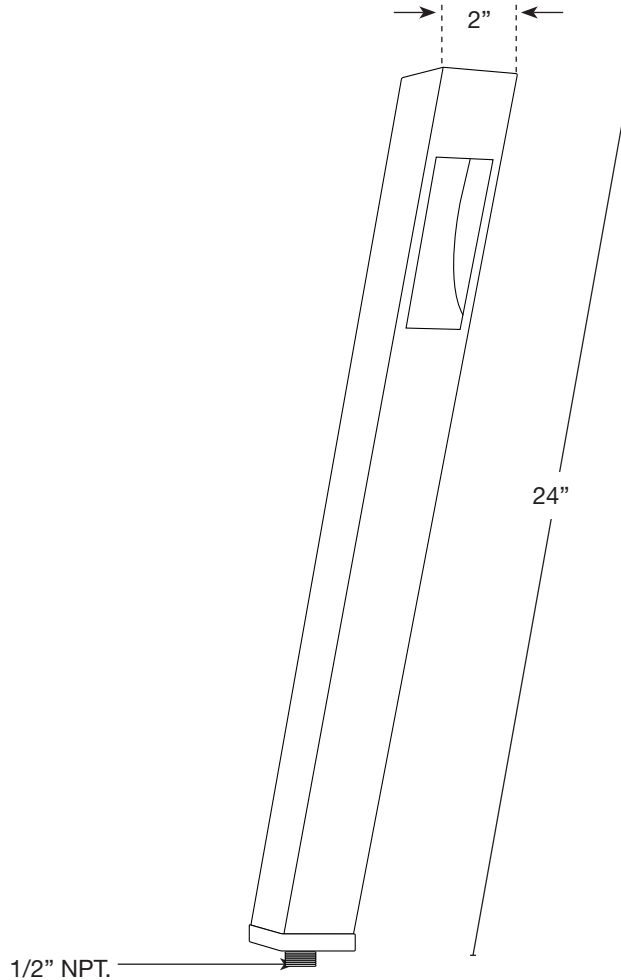
Custom options are available

ELECTRICAL

- 12V
- 120V

MOUNTING OPTION

- Anchor bolted-DM6SQ
- Direct Burial-DB



Deck Mount & Base Cover



SPJ-DM6SQ (SHOWN)
 SPJ-DM8SQ 8"
 Deck Mount



SPJ-DMC-6SQ (SHOWN)
 SPJ-DMC-8SQ 8 1/8"
 Deck Cover



Wet Listed



Ordering Example	Customer Approval	Date
SPJ-ACC24-MBR-2W-27K-12V		