



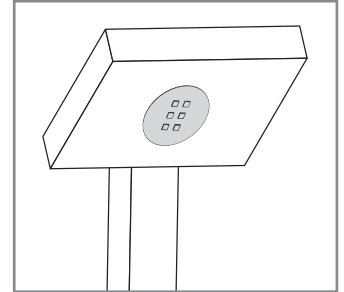
# Forever Bright

## SPECIFICATION FEATURES

**Finish:** Our naturally etched finishes will withstand the test of time. All finishes are individually treated insuring consistency. Our meticulous application results in a fixture that truly becomes "a one of a kind".

**Electrical:** Available in 9-15V

**Labels:** ETL Standard Wet Label  
C-ETL



FB-6W-BOARD-RGBW

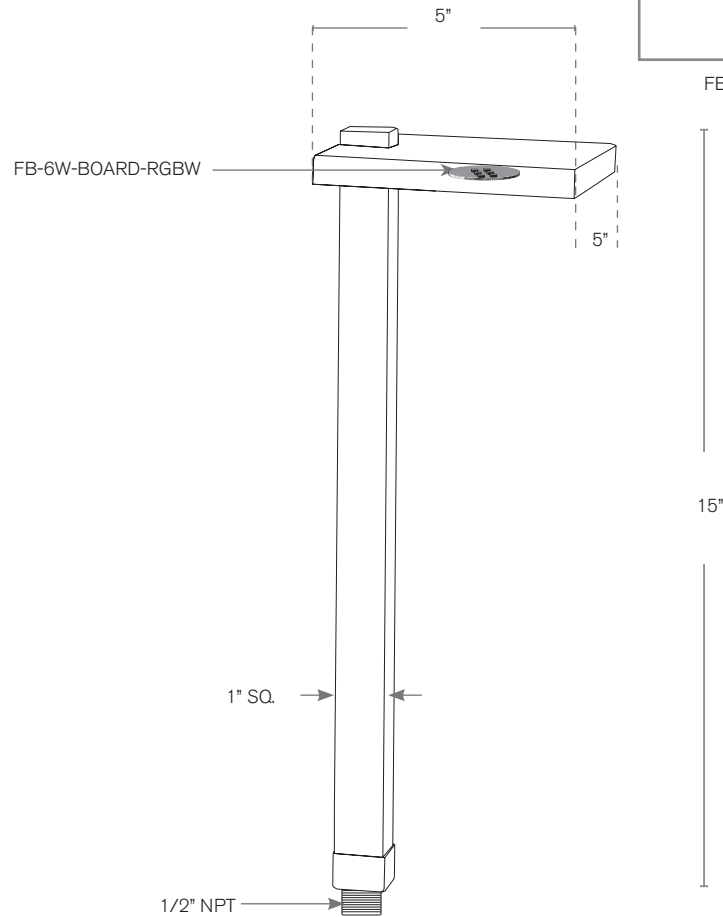


Model: **SPJ-SQ500-RGBW**  
Finish: PVD Satin

### Contemporary Path Light

#### DESCRIPTION

- Model#:** SPJ-SQ500-RGBW
- Material:** Solid Brass
- Electrical:** 9-15V
- Engine:** FB-6W-BOARD-RGBW
- Lumens:** 300
- Color Temp:** RGBW
- Mounting:** 1/2" NPT.
- LED:** Nichia



Wet Listed



#### ORDERING INFORMATION

Model#	Finishes	Wattage	Lumens	Color Temp.	Electrical
<b>SPJ-SQ500-RGBW</b>	<b>PVDS</b>	<b>6W</b>	<b>300</b>	<b>RGBW</b>	<b>9-15V</b>

- V = Verde
- M = Moss
- AG = Aged Brass
- MBR = Matte Bronze
- RC = Raw Copper
- GM = Gun Metal
- B = Black
- R = Rusty
- PVDP = PVD Polished
- PVDS = PVD Satin
- 6W
- 300
- RGBW
- 9-15V