



Forever Bright

SPECIFICATION FEATURES

Finish: Our naturally etched finishes will withstand the test of time. All finishes are individually treated insuring consistency. Our meticulous application results in a fixture that truly becomes "a one of a kind".

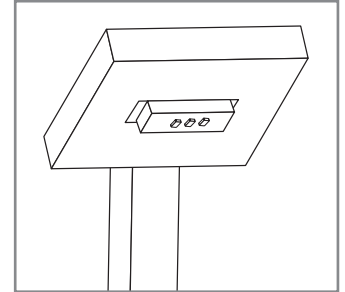
Electrical: Available in 9-15V

Labels: ETL Standard Wet Label
C-ETL

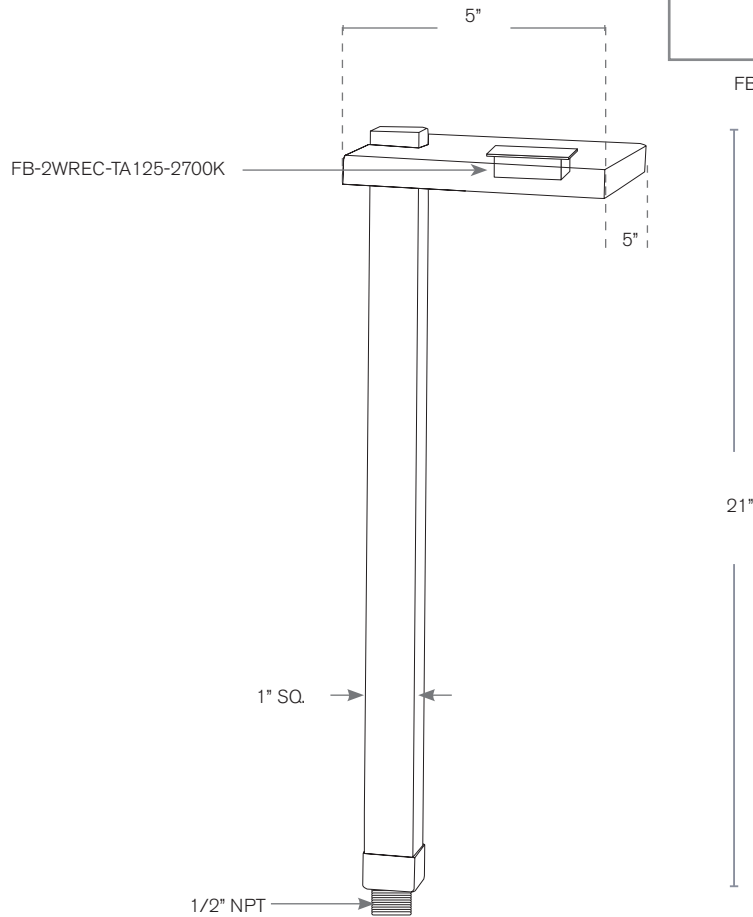


Model: **SPJ-SQ500-21**
Finish: PVD Satin

Contemporary Path Light



FB-2WREC-TA125-2700K



DESCRIPTION

- Model#:** SPJ-SQ500-21
- Material:** Solid Brass
- Electrical:** 9-15V
- Engine:** 2W
- Lumens:** 125
- Color Temp:** 2700K
- Mounting:** 1/2" NPT.
- LED:** Nichia



Wet Listed



ORDERING INFORMATION

Model#	Finishes	Wattage	Lumens	Color Temp.	Electrical
SPJ-SQ500-21	PVDS	2W	125	2700K	9-15V

- | | | | | | |
|--------------------|---------------------|----|-----|-------|-------|
| V = Verde | GM = Gun Metal | 2W | 125 | 2700K | 9-15V |
| M = Moss | B = Black | | | 4000K | |
| AG = Aged Brass | R = Rusty | | | 6500K | |
| MBR = Matte Bronze | PVDP = PVD Polished | | | | |
| RC = Raw Copper | PVDS = PVD Satin | | | | |