



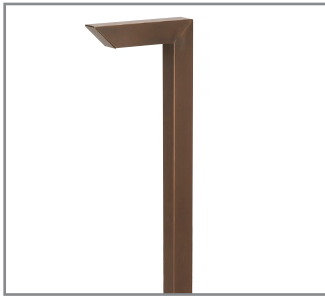
Forever Bright

SPECIFICATION FEATURES

Finish: Our naturally etched finishes will withstand the test of time. All finishes are individually treated insuring consistency. Our meticulous application results in a fixture that truly becomes "a one of a kind".

Electrical: Available in 9-15V

Labels: ETL Standard Wet Label
C-ETL



Model: **SPJ-SQ100-1**
Finish: Matte Bronze

Contemporary Path Light

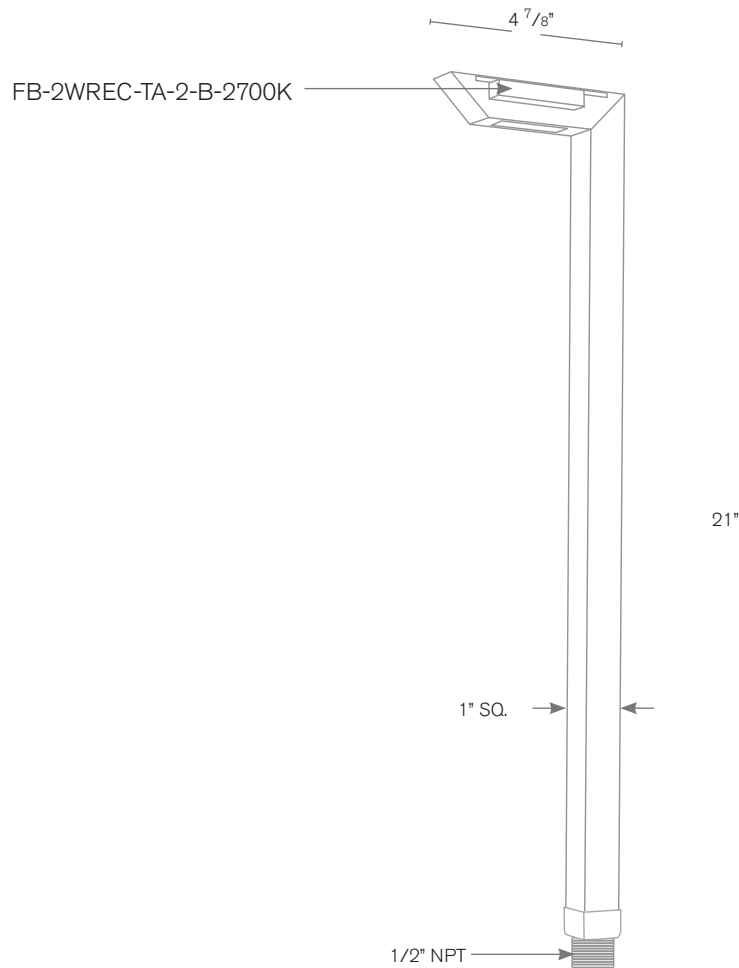
DESCRIPTION

- Model#:** SPJ-SQ100-1
- Material:** Solid Brass
- Electrical:** 9-15V
- Engine:** FB-2WREC-TA-2-B-2700K
- Lumens:** 125
- Color Temp:** Amber
- Mounting:** 1/2" NPT.
- LED:** Nichia

Turtle Friendly



Wet Listed



ORDERING INFORMATION

Model#	Finishes	Wattage	Lumens	Color Temp.	Electrical
SPJ-SQ100-1	MBR	2W	125	amber	9-15V

- V = Verde
- M = Moss
- AG = Aged Brass
- MBR = Matte Bronze
- RC = Raw Copper
- GM = Gun Metal
- B = Black
- R = Rusty
- PVDP = PVD Polished
- PVDS = PVD Satin
- 2W
- 125
- amber
- 9-15V