



MODEL: **SPJ-SL24**
 MATERIAL: **Solid Brass**
 FINISH: **Satin Brass / Black**
 WATTAGE: **4W**
 LUMENS: **600**
 LIFETIME: **5000 Cycles**
Dust to Dawn
 MOUNTING: **Perma Post**
Recommended or
Concrete Footing /
Deck Mount

FINISHES

- Matte Bronze (MBR)
- Verde (V)
- Moss (M)
- Black (B)
- Rusty (R)
- Satin Brass (SB)
- Aged Brass (AG)
- Raw Copper (RC)
- Natural Copper (NC)

WATTAGE	LUMENS
<input type="checkbox"/> 4W	600

Custom lumen packages are available upon request

COLOR TEMPERATURE

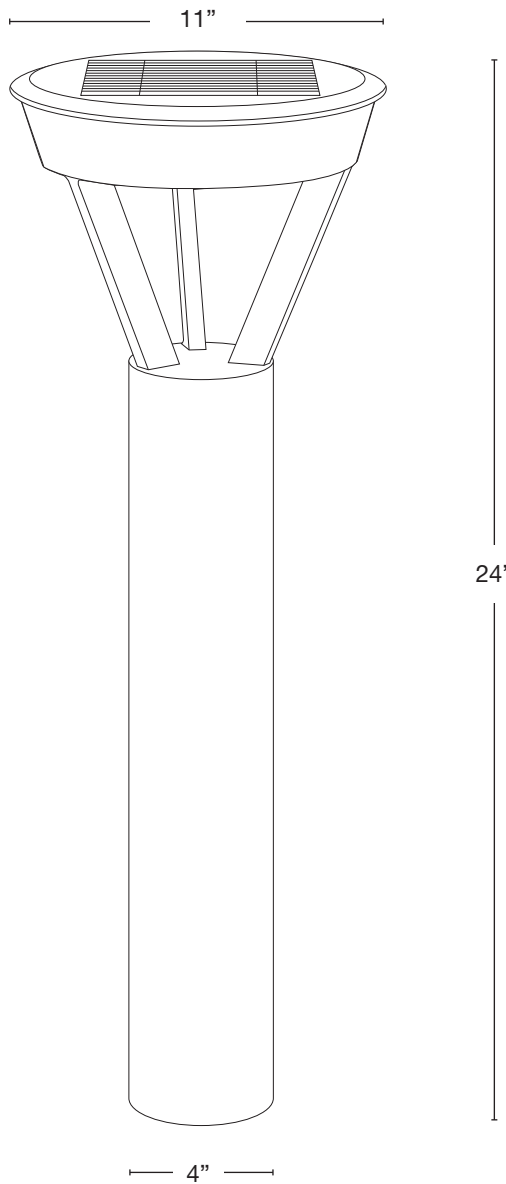
- 2200K
- 2700K
- 3000K
- 4000K
- 5000K
- 6500K

MOUNTING OPTION

- Anchor bolted-DM6R
- Direct Burial-DB
- Perma Post

BRASS POST DIAMETER

- 3" Diameter
- 4" Diameter



Deck Mount & Base Cover



6"

SPJ-DM6R (SHOWN)
SPJ-DM8R 8"
DECK MOUNT



6 1/8"

SPJ-DMC-6R (SHOWN)
SPJ-DMC-8R 8 1/8"
DECK COVER
COVER



SPJ19-03 PERMA POST
3" DIA. WITH 1/2" NPT.



Wet Listed



Ordering Example

Customer Approval

Date

SPJ-SL24-SB-4W