



EasyLED 16" Area Light



Housing:
Heavy-Duty Die Cast Aluminum Housing and Front Frame, Integral Heat Sinking, Driver Compartment. Textured Architectural Bronze Powdercoat Finish Over a Chromate Conversion Coating. Photocell Adaptable.

Lens:
Clear Flat Glass Lens or Clear Flat Prismatic Glass Lens.

Mounting:
Mount with two-piece swivel bracket, adjustable slipfitter, extruded mounting arms, wall bracket or mounting arm adaptor.

Photometric Performance:
Array Lumens: 174w: 17,996 (F Optic)

Delivered Lumens:
174w: 17,073 (C, Clear); 16,964 (F, Clear)
262w: 30,544 (A, Clear); 29,499 (C, Clear); 26,264 (F, Clear)

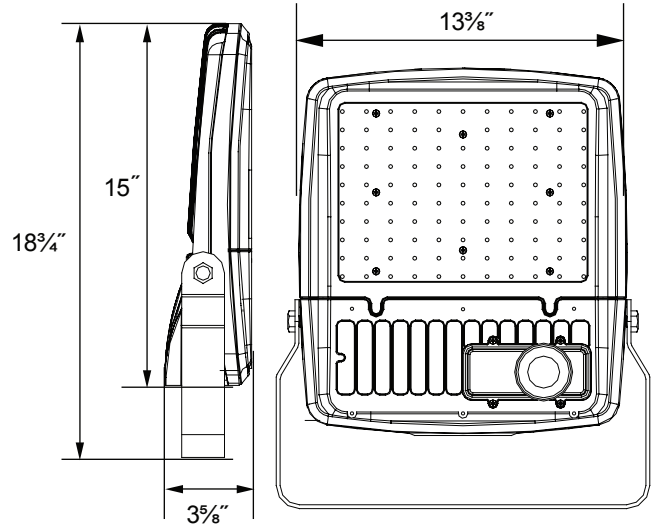
Wattage:
174w: Array: 175.2w, System: 187w
262w: Array: 262w, System: 286w

Driver:
Electronic Driver, 120-277V, 50/60Hz; Dimmable Driver

Ratings:
CSA:Listed for Wet Locations. LM-79 Report Available on Select Models.

Options:
Surge Protection. Custom Colors Available Upon Request.

SPJ-SKH-1-FL



Photometrics

